

Grove TMS700E

Product Guide



Features

- 50 t or 55 t (50 USt or 60 USt) capacity
- 11 m – 33,5 m (36 ft – 110 ft) four-section, full power sequenced synchronized boom
- 10,1 m – 17 m (33 ft – 56 ft) offsettable bi-fold lattice swingaway extension
- Optional 6,1 m (20 ft) or 12,2 m (40 ft) swingaway extension inserts
- Grove MEGAFORM™ boom
- Up to 7484 kg (16,500 lb) hydraulically installed and removed counterweight



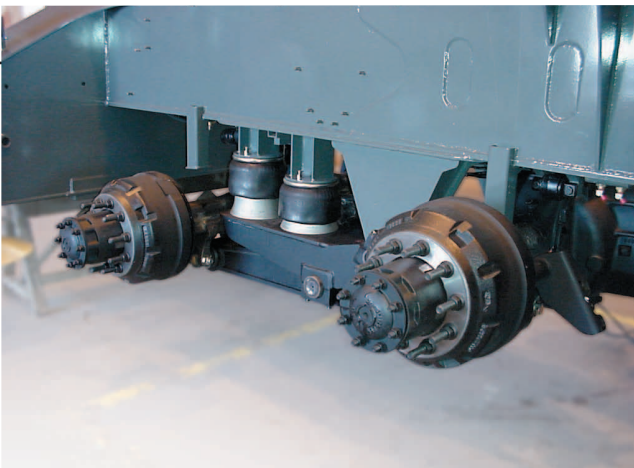
Features

Swingaway extension inserts

Optional 6,1 m (20 ft) or 12,2 m (40 ft) swingaway extension inserts offer excellent capacities with an unprecedented tip height of up to 212 ft.

CraneSTAR

CraneSTAR is an exclusive and innovative crane asset management system that helps improve your profitability and reduce costs by remotely monitoring critical crane data. Visit www.cranestar.com for more information.

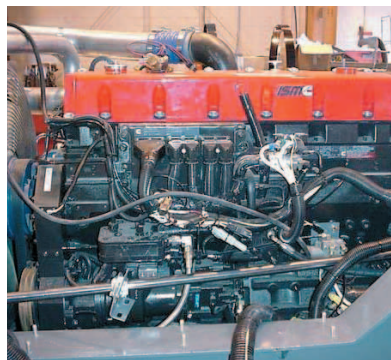


Suspension system

Standard front and rear air ride suspension provides a comfortable ride at maximum speed of 105 km/h (65 mph).

Cummins diesel carrier engine

Cummins ISX 12 diesel carrier engine delivers the horsepower and torque needed to negotiate tough job sites and achieve highway travel speeds.



MEGAFORM™ boom

The 11 m – 33,5 m (36 ft – 110 ft) four-section full power sequenced synchronized MEGAFORM™ boom is designed for maximum vertical and lateral strength.



Contents

| | |
|--------------------------------|----|
| Specifications | 4 |
| Dimensions | 7 |
| Travel proposals | 8 |
| Working range | 9 |
| Main boom and swingaway charts | 10 |
| Working range with inserts | 18 |
| Swingaway charts with inserts | 19 |
| Load handling | 21 |
| Metric 85% working range | 22 |
| Metric 85% load charts | 23 |
| Symbols glossary | 38 |

Specifications

Superstructure



Boom

11 m – 33,5 m (36 ft – 110 ft) four (4) section, full power sequenced synchronized boom.

Maximum tip height: 35,9 m (118 ft).



Folding lattice extension

10,1 m – 17,1 m (33 ft – 56 ft) folding lattice swingaway extension offsettable at 0°, 25° or 45°. Stows alongside base boom section.

Maximum tip height: 52,6 m (172.5 ft).



*Lattice extension

Two (2) 6,1 m (20 ft) lattice extensions used with the swingaway extension to increase the length to 23,2 m (76 ft) or 29,3 m (96 ft).

Maximum tip height: 64,6 m (212 ft).



Boom nose

Quick reeving type boom nose with 3 nylatron sheaves (TMS750E), (4 for TMS760E [55 t (60 USt) rating]) mounted on heavy duty tapered roller bearings with removable pin-type rope guards. Removable auxiliary boom nose with removable pin type rope guard.



Boom elevation

One double acting hydraulic cylinder with integral holding valve provides elevation from -3° to 78°.



Load moment and anti-two block system

Standard “Graphics Display” load moment and anti-two block system with audio-visual warning and control lever lockout. These systems provide electronic display of boom angle, boom length, radius, tip height, relative load moment, maximum permissible load, load indication and warning of impending two-block condition. The standard “Work Area Definition System” allows the operator to pre-select and define safe working areas. If the crane approaches the pre-set limits, audio-visual warnings aid the operator in avoiding job-site obstructions.



Cab

High visibility, all steel cab with acoustical lining and tinted safety glass throughout. Deluxe seat with armrest mounted hydraulic single axis controls. Dash panel incorporates gauges for all engine functions. Other standard features include: sliding side and rear windows, hot water heat, electric windshield wash/wipe, circulating air fan, sliding skylight with sunscreen and electric skylight wiper, fire extinguisher, cup holder, air conditioning.



Swing

Planetary swing with foot applied multi-disc wet brake. Spring applied, hydraulically released parking brake. Two position plunger type and 360° mechanical house locks operated from cab.

Maximum speed: 2.0 rpm.

Counterweight

4990 kg (11,000 lb) consisting of (2) 2495 kg ([2] 5500 lb) sections. *Optional “Heavy Lift” package consisting of (1) additional 2495 kg (5500 lb) section, for a total of 7484 kg (16,500 lb). Hydraulic installation/removal.



Hydraulic system

Four main gear pumps with a combined capacity of 513 L/m (135.4 gpm). Individual pressure compensated valve banks. Maximum operating pressure: 27,6 Mpa (4000 psi).

Return line type filter with full flow by-pass protection and service indicator. Replaceable cartridge with beta rating of 5/12/16. 643 L (170 gal) reservoir. Remote mounted oil cooler with thermostatically controlled electric motor driven fan.

Specifications

Superstructure continued



Hoist main and auxiliary hoists-model HP30A-19G

Planetary reduction with integral automatic brake, electronic hoist drum rotation indicator, and hoist drum cable follower. Grooved drum.

Single line pull: 1st layer: 8226 kg (18,134 lb)
3rd layer: 6994 kg (15,420 lb)
5th layer: 6084 kg (13,413 lb)

Maximum single line speed: 162 m/min
(531 fpm)

Maximum permissible line pull: 7620 kg (16,800 lb)
with standard 6 x 37
class rope

7620 kg (16,800 lb)
with optional 35 x 7
class rope

Rope diameter: 19 mm (.75 in)

Rope length: 152 m (500 ft)

Maximum rope stowage: 256 m (841 ft)

Carrier



Chassis

Triple box section, four-axle carrier, fabricated from high strength, low alloy steel with towing and tie-down lugs.



Outrigger system

Four hydraulic telescoping, single stage, double box beam outriggers with inverted jack and integral holding valves. Quick release type steel outrigger floats 610 mm (24 in) diameter. Three position setting with fully extended, intermediate (50%) extended and fully retracted capacities. Includes Outrigger Monitoring System.

Maximum outrigger pad load: 90,890 lb



Outrigger controls

Located in the superstructure cab and both sides of chassis. Level indicator at each control station.



Engine- North America

Cummins ISX 12 six-cylinder, turbo-charged and after-cooled diesel engine. 12 L (732 in³) 336 kW (450 bhp) at 1800 rpm. Maximum torque 2102 Nm (1550 lb-ft) at 1400 rpm. 2010 "On Highway" EPA, CARB compliant.

Equipped with engine compression brake, audio-visual engine distress system and ether cold start aid.

Fuel Requirement: Maximum of 15 ppm sulfur content (Ultra Low Sulfur Diesel). Diesel exhaust fluid required.



Engine- Export

Cummins QSM 11 six-cylinder, turbo-charged and after-cooled diesel engine. 10.8 L (660 in³), 300 kW (402 bhp) at 1800 rpm. Maximum torque 1898 Nm (1400 lb-ft) at 1400 rpm. Tier III "Off-Highway" EPA, CARB and EU Stage IIIA compliant.

Equipped with engine compression brake, audio-visual engine distress system and ether cold start aid.

Fuel Requirement: Maximum of 5000 ppm sulfur content.



Fuel tank capacity

379 L (100 gal).



Transmission

Roadranger 11 speeds forward, 3 reverse, manual.



Drive

Drive 8 x 4 x 4.



Steering

Front axles, single circuit, mechanical steering with hydraulic assist.



Axles

Front: (2) beam-type steering axles, 2,1 m (83.3 in) track.

Rear: (2) single reduction drive axles, 1,9 m (75.1 in) track. Inter-axle differential lock.

Specifications

Carrier continued

Brakes

S-cam, dual system operating on all wheels. Spring applied air released parking brake acting on rear axles. Air dryer.

Suspension

Front: Walking beam with air bags and shock absorbers.

Rear: Walking beam with air bags and shock absorbers.

Tires

Front: 445/65R 22.5, tubeless, mounted on aluminum disc wheels.

Rear: 315/80R 22.5, tubeless, mounted on aluminum disc wheels, steel inner.

Lights

Full lighting package including turn indicators, head, tail, brake, and hazard warning lights.

Cab

One man design, all steel fabricated with acoustical lining and tinted safety glass throughout. Deluxe fabric covered, fully adjustable air ride seat. Complete driving controls and engine instrumentation including tilt telescope steering wheel, tachometer, speedometer, voltmeter, water temp., oil pressure, fuel level, air pressure gauge with A/V warning and engine high temp./low oil pressure A/V warning. Other standard items include hot water heater/defroster, electric windshield wash/wipe, fire extinguisher, seat belt, air conditioning, air horn and door lock.

Electrical system

Three (3) 12V batteries. 12V lighting/starting. Battery disconnect standard equipment.

Maximum speed

104 km/h (65 mph)

Gradeability (theoretical)

70%

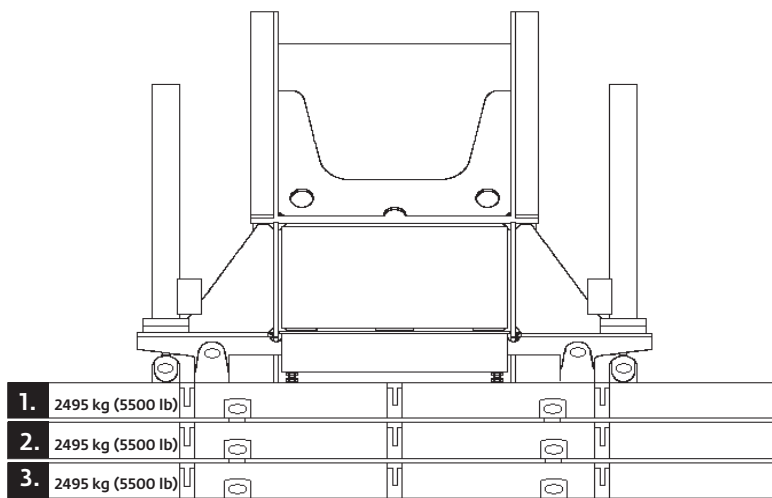
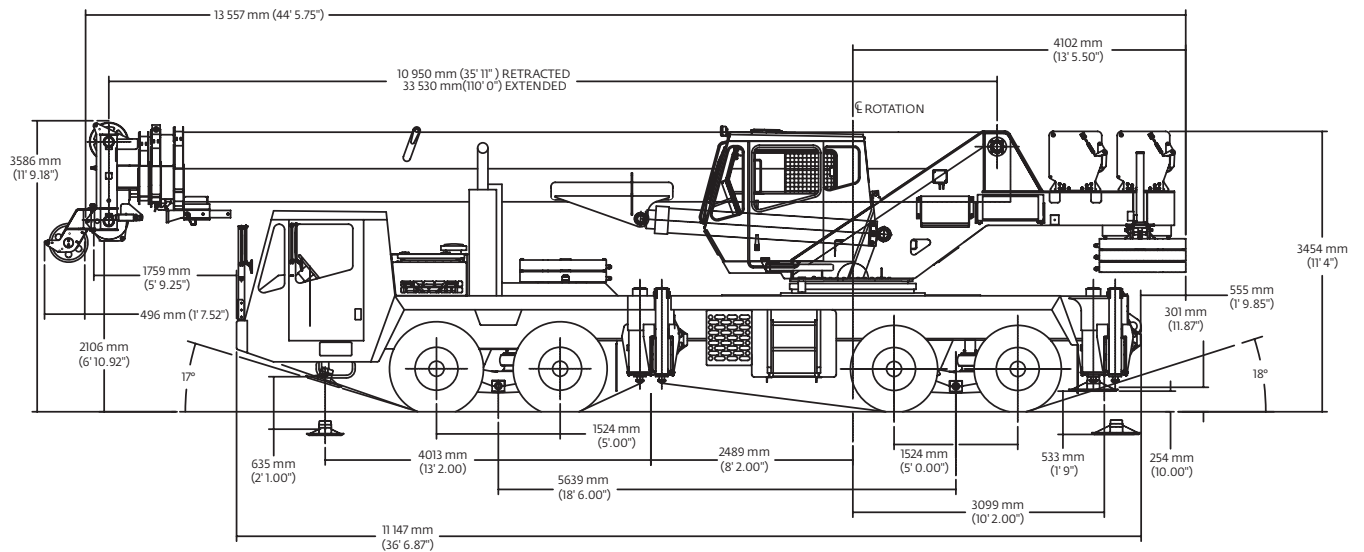
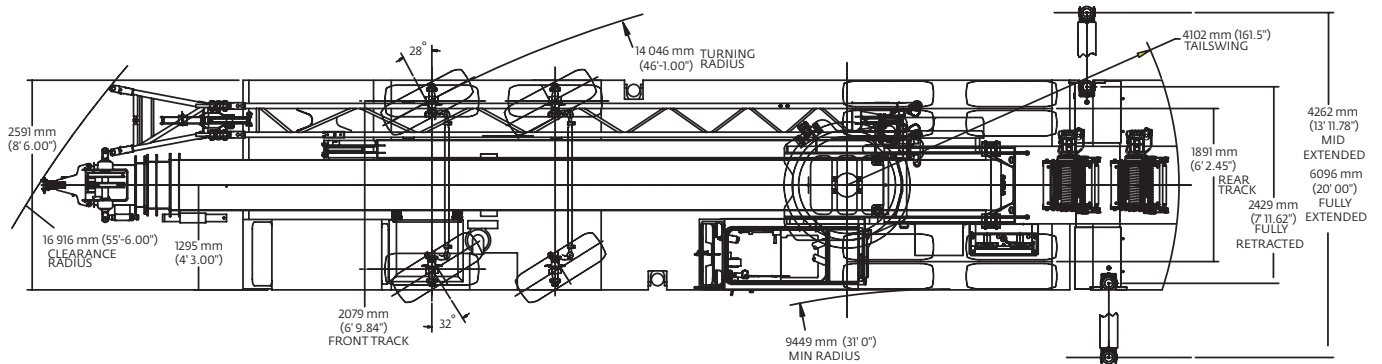
Miscellaneous standard equipment

Aluminum fenders with rear storage compartments; dual rear view mirrors; electronic back-up alarm; pump disconnect; tire inflation kit; air cleaner restriction indicator; headache ball stowage; chrome package which includes aluminum wheels, LMI event recorder and CraneSTAR asset management system.

*Optional equipment

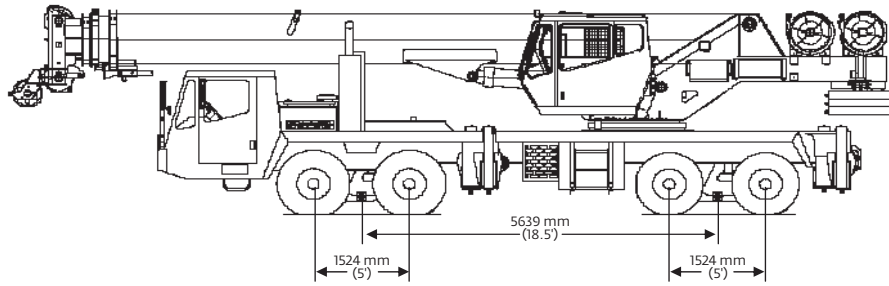
- ▶ **Auxiliary Lighting and Convenience Package** — includes amber strobe for superstructure and carrier cabs, dual boom base mounted floodlights, and LMI light bar (in cab)
- ▶ **Trailing Boom Package** — includes trailer air and electrical disconnects, no spin differential and trailing boom kit (less dolly)
- ▶ Wind speed indicator
- ▶ Hook blocks
- ▶ Rear pintle hook
- ▶ Cross axle differential locks
- ▶ Winter front radiator cover
- ▶ Aluminum outrigger pads
- ▶ Tow cable
- ▶ LMI calibration for on rubber

Dimensions

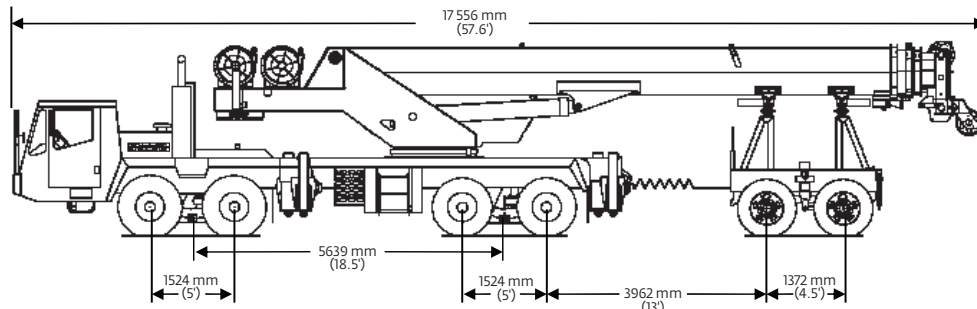


| Counterweight configuration | |
|-----------------------------|-------|
| Zero | |
| 2495 kg (5500 lb) | ● |
| 4990 kg (11,000 lb) | ● ● |
| 7485 kg (16,500 lb) | ● ● ● |

Travel proposals



| Boom over front unit configuration kg (lb) | Gross | | Front | | Rear | |
|--|--------|----------|--------|----------|--------|----------|
| Basic machine including 33.5 m (110 ft) main boom, ISX12 on-highway engine, main and auxiliary hoists with cable, driver and no counterweight. | 34 430 | (75,907) | 17 438 | (38,445) | 16 992 | (37,462) |
| Additions: | | | | | | |
| 2495 kg (5500 lb) counterweight pinned on superstructure | 2495 | (5500) | -1004 | (-2214) | 3499 | (7714) |
| 4990 kg (11,000 lb) counterweight pinned on superstructure | 4990 | (11,000) | -2009 | (-4428) | 6998 | (15,428) |
| 7485 kg (16,500 lb) counterweight pinned on superstructure | 7484 | (16,500) | -3013 | (-6642) | 10 497 | (23,142) |
| 2495 kg (5,500 lb) counterweight stowed on carrier deck | 2495 | (5500) | 2128 | (4692) | 367 | (808) |
| 4990 kg (11,000 lb) counterweight stowed on carrier deck | 4990 | (11,000) | 4257 | (9384) | 733 | (1616) |
| Swingaway carrier brackets | 133 | (293) | 110 | (243) | 23 | (50) |
| 10,1 m - 17,1 m (33 ft - 56 ft) swingaway | 1132 | (2495) | 1,147 | (2528) | -15 | (-33) |
| Auxiliary boom nose | 59 | (130) | 115 | (253) | -56 | (-123) |
| 36 t (40 USt) - tied to the bumper | 373 | (823) | 632 | (1394) | -259 | (-571) |
| 45 t (50 USt) - tied to the bumper | 458 | (1010) | 776 | (1711) | -318 | (-701) |
| 55 t (60 USt) - tied to the bumper | 581 | (1280) | 983 | (2168) | -403 | (-888) |
| 7,5 t (8.3 USt) headache ball stowed | 161 | (355) | 237 | (523) | -76 | (-168) |
| 7,5 t (8.3 USt) headache ball tied to the bumper | 161 | (355) | 269 | (593) | -108 | (-238) |
| Air conditioning superstructure cab | 90 | (198) | 3 | (7) | 87 | (191) |
| Air conditioning chassis cab | 24 | (53) | 29 | (65) | -5 | (-12) |
| Substitutions: | | | | | | |
| Aluminum outrigger floats | -33 | (-72) | 4 | (8) | -36 | (-80) |
| QSM off-highway engine | -427 | (-941) | -464 | (-1022) | 37 | (81) |
| Michelin tires | 60 | (132) | -2 | (-4) | 62 | (136) |

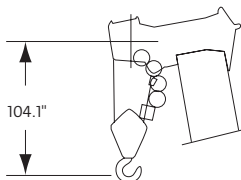
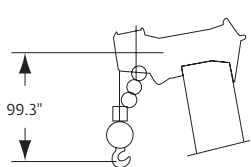
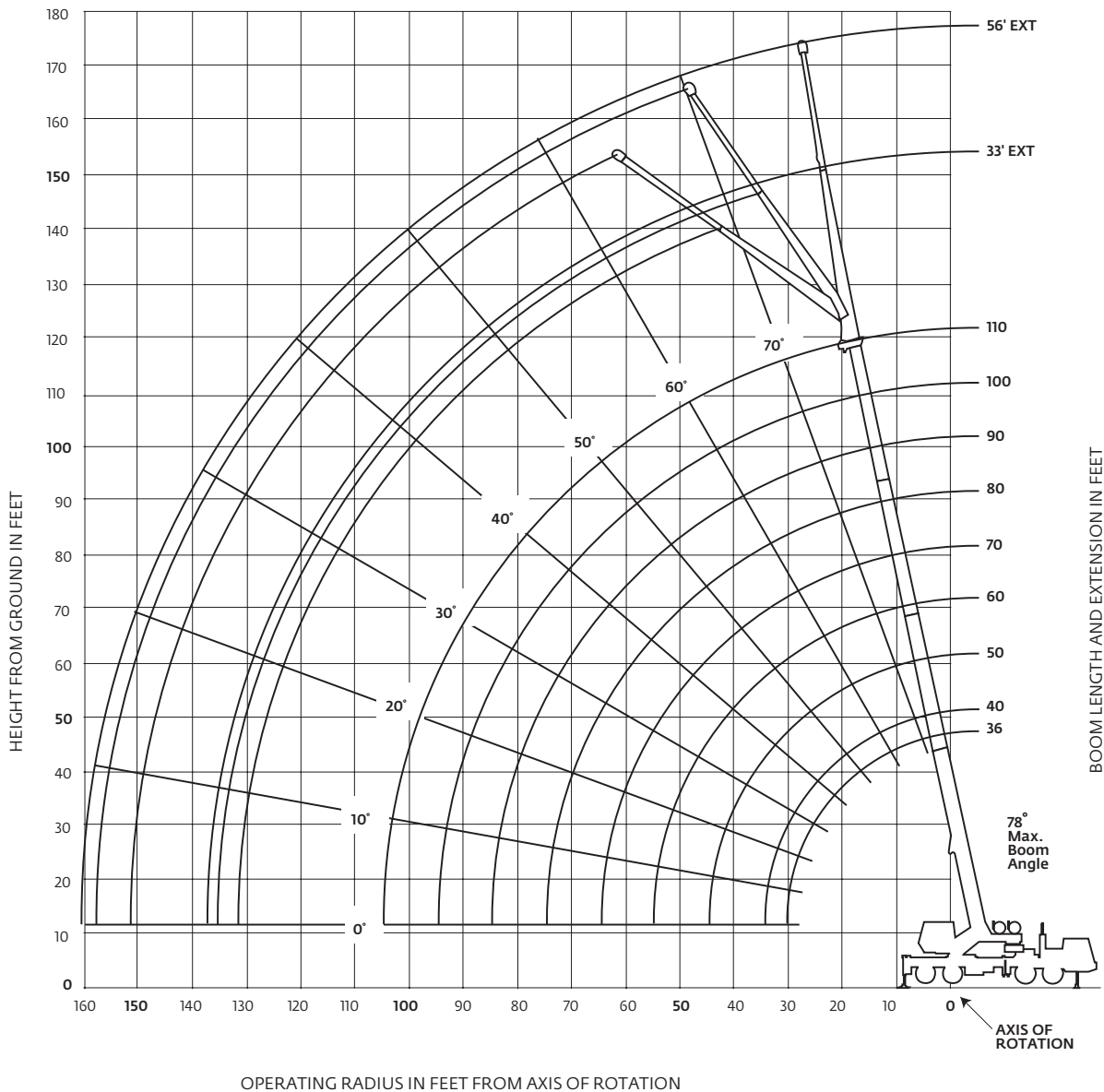


| Trailing boom unit configuration kg (lb) | Gross | | Front | | Rear | | Dolly | |
|---|--------|----------|--------|----------|--------|----------|-------|----------|
| Basic machine including 33.5 m (110 ft) main boom, ISX12 on-highway engine, main and auxiliary hoists with cable, driver, no counterweight and 2722 kg (6000 lb) tandem axle dolly. | 37,208 | (82,031) | 15,875 | (34,999) | 13,178 | (29,053) | 8155 | (17,979) |
| Additions: | | | | | | | | |
| 2495 kg (5500 lb) counterweight stowed on carrier deck | 2495 | (5500) | 2128 | (4692) | 367 | (808) | 0 | 0 |
| 4990 kg (11,000 lb) counterweight stowed on carrier deck. | 4990 | (11,000) | 4257 | (9384) | 733 | (1616) | 0 | 0 |
| 10,1 m - 17,1 m (33 ft - 56 ft) swingaway with brackets. | 1265 | (2788) | 191 | (421) | 162 | (357) | 912 | (2010) |
| Auxiliary boom nose | 59 | (130) | -11 | (-25) | -10 | (-21) | 80 | (176) |
| Air conditioning superstructure cab | 90 | (198) | 37 | (82) | 53 | (116) | 0 | 0 |
| Air conditioning chassis cab | 24 | (53) | 29 | (65) | -5 | (-12) | 0 | 0 |
| 35 t (40 USt) hookblock hanging at boom nose. | 373 | (823) | -59 | (-130) | -50 | (-110) | 482 | (1063) |
| 45 t (50 USt) hookblock hanging at boom nose. | 458 | (1010) | -72 | (-159) | -61 | (-135) | 592 | (1304) |
| 55 t (60 USt) hookblock hanging at boom nose. | 581 | (1280) | -91 | (-201) | -78 | (-171) | 750 | (1653) |
| 7,5 t (8.3 USt) headache ball hanging at boom nose. | 161 | (355) | -25 | (-56) | -21 | (-47) | 208 | (458) |
| 7,5 t (8.3 USt) headache ball stowed | 161 | (355) | 237 | (523) | -76 | (-168) | 0 | 0 |
| Substitutions: | | | | | | | | |
| Aluminum outrigger floats | -33 | (-72) | 4 | (8) | -36 | (-80) | 0 | 0 |
| QSM off-highway engine | -427 | (-941) | -464 | (-1022) | 37 | (81) | 0 | 0 |
| Michelin tires | 60 | (132) | -2 | (-4) | 62 | (136) | 0 | 0 |

Working range

36 ft – 110 ft main boom and 33 ft – 56 ft lattice extension

(BOOM DEFLECTION NOT SHOWN)



Dimensions are for largest Grove furnished hook block and headache ball, with anti-two block activated.

THIS CHART IS ONLY A GUIDE AND SHOULD NOT BE USED TO OPERATE THE CRANE.

The individual crane's load chart, operating instructions and other instructional plates must be read and understood prior to operating the crane.

TMS760E load charts



36 ft – 110 ft



16,500 lb



100%
20 ft



360°



#0001

| Feet | Main boom length in feet | | | | | | | | | |
|------|--------------------------|------------------|------------------|------------------|------------------|------------------|------------------|------------------|------------------|------------------|
| | 35 | 40 | 50 | **60 | 70 | 80 | 90 | 100 | 110 | |
| 10 | 120,000 (69) | 84,400 (72) | 80,200 (76) | *62,500 (78) | | | | | | |
| 12 | 100,000 (65.5) | 84,400 (68.5) | 80,200 (73.5) | 62,500 (77) | *36,800 (78) | | | | | |
| 15 | 87,300 (59.5) | 82,700 (63.5) | 80,200 (70) | 61,000 (74) | 36,800 (76.5) | *36,800 (78) | *31,000 (78) | | | |
| 20 | 68,250 (49) | 65,000 (55) | 64,300 (63.5) | 50,650 (69) | 36,800 (72) | 36,800 (75) | 31,000 (77) | *29,100 (78) | *24,000 (78) | |
| 25 | 54,900 (36) | 53,100 (45) | 52,000 (56.5) | 41,800 (63.5) | 36,800 (68) | 34,000 (71) | 30,000 (73.5) | 27,000 (76) | 24,000 (77.5) | 24,000 (78) |
| 30 | | 39,350 (31.5) | 38,700 (48.5) | 37,850 (57.5) | 33,400 (63) | 29,000 (67) | 25,300 (70.5) | 24,200 (72.5) | 22,000 (75) | 22,000 (75) |
| 35 | | | 29,400 (40) | 28,400 (51.5) | 28,700 (58) | 25,000 (63) | 22,200 (67) | 21,750 (69.5) | 20,000 (72) | 20,000 (72) |
| 40 | | | 23,050 (28) | 22,100 (45) | 22,750 (53) | 22,000 (59) | 20,200 (63) | 19,000 (66.5) | 18,500 (69) | 18,500 (69) |
| 45 | | | | 17,550 (37) | 18,250 (47.5) | 18,800 (54.5) | 17,800 (59.5) | 17,300 (63) | 17,300 (66.5) | 17,300 (66.5) |
| 50 | | | | 14,050 (26.5) | 14,850 (41) | 15,600 (49.5) | 16,000 (55.5) | 16,000 (60) | 16,000 (63.5) | 16,000 (63.5) |
| 55 | | | | | 12,200 (33.5) | 12,950 (44.5) | 13,650 (51) | 14,100 (56.5) | 14,100 (60) | 14,100 (60) |
| 60 | | | | | 10,050 (24) | 10,850 (38.5) | 11,600 (47) | 12,000 (52.5) | 12,000 (57) | 12,000 (57) |
| 65 | | | | | | 9,100 (31.5) | 9,900 (42) | 10,250 (48.5) | 10,600 (53.5) | 10,600 (53.5) |
| 70 | | | | | | 7,650 (22.5) | 8,450 (36.5) | 8,820 (44.5) | 9,000 (50) | 9,000 (50) |
| 75 | | | | | | | 7,210 (30) | 7,580 (40) | 7,800 (46.5) | 7,800 (46.5) |
| 80 | | | | | | | 6,150 (21.5) | 6,490 (34.5) | 6,600 (42.5) | 6,600 (42.5) |
| 85 | | | | | | | | 5,800 (28.5) | 5,800 (38) | 5,800 (38) |
| 90 | | | | | | | | 4,730 (20.5) | 5,000 (33) | 5,000 (33) |
| 95 | | | | | | | | | 4,270 (27.5) | 4,270 (27.5) |
| 100 | | | | | | | | | 3,600 (19.5) | 3,600 (19.5) |
| | | | | | | | | | 0 | 0 |
| | | | | | | | | | 110 | 110 |

NOTE: () Boom angles are in degrees. #LMI operating code. Refer to LMI manual for instructions. *This capacity is based on maximum boom angle. Lifting capacities at zero degree boom angle

| Boom angle | Main boom length in feet | | | | | | | | | |
|------------|--------------------------|------------------|------------------|------------------|-----------------|-----------------|-----------------|-----------------|------------------|------------------|
| | 35 | 40 | 50 | **60 | 70 | 80 | 90 | 100 | 110 | |
| 0° | 29,050 (29.8) | 24,450 (34.2) | 17,050 (44.2) | 11,600 (54.6) | 8,570 (64.2) | 6,610 (74.2) | 5,380 (84.2) | 4,120 (94.2) | 3,110 (104.2) | 3,110 (104.2) |

NOTE: () Reference radii in feet. **60 ft boom length is with inner-mid extended and outer-mid & fly retracted.



36 ft – 110 ft



16,500 lb



100%
20 ft



Over rear



#0001

| Feet | Main boom length in feet | | | | | | | | | |
|------|--------------------------|------------------|------------------|------------------|------------------|------------------|------------------|------------------|------------------|------------------|
| | 35 | 40 | 50 | **60 | 70 | 80 | 90 | 100 | 110 | |
| 10 | 120,000 (69) | 84,400 (72) | 80,200 (76) | *62,500 (78) | | | | | | |
| 12 | 100,000 (65.5) | 84,400 (68.5) | 80,200 (73.5) | 62,500 (77) | *36,800 (78) | | | | | |
| 15 | 87,300 (59.5) | 82,700 (63.5) | 80,200 (70) | 61,000 (74) | 36,800 (76.5) | *36,800 (78) | *31,000 (78) | | | |
| 20 | 68,250 (49) | 65,000 (55) | 64,300 (63.5) | 50,650 (69) | 36,800 (72) | 36,800 (75) | 31,000 (77) | *29,100 (78) | *24,000 (78) | |
| 25 | 55,650 (36) | 53,100 (45) | 52,000 (56.5) | 41,800 (63.5) | 36,800 (68) | 34,000 (71) | 30,000 (73.5) | 27,000 (76) | 24,000 (77.5) | 24,000 (78) |
| 30 | | 44,100 (31.5) | 39,600 (48.5) | 38,000 (57.5) | 33,400 (63) | 29,000 (67) | 25,300 (70.5) | 24,200 (72.5) | 22,000 (75) | 22,000 (75) |
| 35 | | | 32,400 (40) | 32,400 (51.5) | 29,750 (58) | 28,700 (63) | 25,000 (67) | 22,200 (69.5) | 21,750 (72) | 20,000 (72) |
| 40 | | | 26,050 (28) | 25,500 (45) | 23,600 (53) | 22,000 (59) | 20,200 (63) | 19,000 (66.5) | 18,500 (69) | 18,500 (69) |
| 45 | | | | 20,000 (47.5) | 19,700 (54.5) | 18,800 (61.5) | 17,800 (68.5) | 17,300 (75.5) | 17,300 (82.5) | 17,300 (82.5) |
| 50 | | | | 17,250 (26.5) | 17,850 (41) | 18,500 (49.5) | 19,000 (55.5) | 19,000 (60) | 19,000 (63.5) | 19,000 (63.5) |
| 55 | | | | | 14,900 (33.5) | 14,900 (44.5) | 14,100 (51) | 14,100 (56.5) | 14,100 (60) | 14,100 (60) |
| 60 | | | | | 13,050 (24) | 13,800 (38.5) | 14,600 (47) | 15,100 (52.5) | 15,100 (57) | 15,100 (57) |
| 65 | | | | | | 11,450 (31.5) | 12,200 (42) | 12,800 (48.5) | 13,400 (53.5) | 13,400 (53.5) |
| 70 | | | | | | 10,100 (22.5) | 10,850 (36.5) | 11,600 (44.5) | 12,200 (50) | 12,200 (50) |
| 75 | | | | | | | 8,290 (30) | 8,820 (40) | 9,000 (46.5) | 9,000 (46.5) |
| 80 | | | | | | | 7,140 (21.5) | 7,580 (34.5) | 7,800 (42.5) | 7,800 (42.5) |
| 85 | | | | | | | | 5,800 (28.5) | 5,800 (38) | 5,800 (38) |
| 90 | | | | | | | | 5,000 (20.5) | 5,000 (33) | 5,000 (33) |
| 95 | | | | | | | | | 4,440 (27.5) | 4,440 (27.5) |
| 100 | | | | | | | | | 3,880 (19.5) | 3,880 (19.5) |
| | | | | | | | | | 0 | 0 |
| | | | | | | | | | 110 | 110 |

NOTE: () Boom angles are in degrees. #LMI operating code. Refer to LMI manual for instructions. *This capacity is based on maximum boom angle. Lifting capacities at zero degree boom angle

| Boom angle | Main boom length in feet | | | | | | | | | |
|------------|--------------------------|------------------|------------------|------------------|-----------------|-----------------|-----------------|-----------------|------------------|------------------|
| | 35 | 40 | 50 | **60 | 70 | 80 | 90 | 100 | 110 | |
| 0° | 29,050 (29.8) | 24,450 (34.2) | 17,050 (44.2) | 11,950 (54.6) | 9,640 (64.2) | 7,810 (74.2) | 6,390 (84.2) | 4,770 (94.2) | 3,350 (104.2) | 3,350 (104.2) |

NOTE: () Reference radii in feet. **60 ft boom length is with inner-mid extended and outer-mid & fly retracted.

THIS CHART IS ONLY A GUIDE AND SHOULD NOT BE USED TO OPERATE THE CRANE.

The individual crane's load chart, operating instructions and other instructional plates must be read and understood prior to operating the crane.

Load chart



| Pounds | | | | | | |
|--------------------------------------|-----------------------|------------------------|------------------------|-----------------------|------------------------|------------------------|
| Feet | 33 ft length | | | 56 ft length | | |
| | #0021 0° Offset | #0022 25° Offset | #0023 45° Offset | #0041 0° Offset | #0042 25° Offset | #0043 45° Offset |
| 30 | 12,900 (78) | | | | | |
| 35 | 12,900 (76) | | | *8330 (78) | | |
| 40 | 12,900 (74) | *10,850 (78) | | 8330 (77.5) | | |
| 45 | 12,900 (72) | 10,450 (77) | *7410 (78) | 8330 (76) | | |
| 50 | 12,100 (70) | 10,000 (74.5) | 7200 (77.5) | 8330 (74.5) | | |
| 55 | 11,100 (68) | 9220 (72.5) | 6990 (75) | 8250 (73) | *5300 (78) | |
| 60 | 10,100 (66) | 8550 (70.5) | 6800 (72.5) | 7540 (71) | 5140 (77) | |
| 65 | 9130 (63.5) | 7930 (68) | 6650 (70.5) | 7160 (69) | 5100 (75) | *3860 (78) |
| 70 | 8460 (61.5) | 7380 (65.5) | 6490 (68) | 6820 (67.5) | 5100 (73) | 3790 (77.5) |
| 75 | 7840 (59) | 6900 (63) | 6370 (65.5) | 6300 (65.5) | 4800 (71) | 3660 (75) |
| 80 | 7230 (56.5) | 6470 (60.5) | 6110 (62.5) | 5810 (63.5) | 4580 (69) | 3550 (73) |
| 85 | 6470 (54) | 6070 (58) | 5780 (60) | 5370 (61.5) | 4470 (67.5) | 3450 (71) |
| 90 | 5670 (51) | 5720 (55.5) | 5480 (57) | 4980 (59.5) | 4330 (65.5) | 3410 (68.5) |
| 95 | 4970 (48.5) | 5400 (52.5) | 5200 (54) | 4630 (57) | 4070 (63) | 3300 (66.5) |
| 100 | 4350 (45.5) | 4840 (49.5) | 4950 (51) | 4320 (55) | 3830 (61) | 3260 (64) |
| 105 | 3790 (42.5) | 4210 (46.5) | 4470 (47.5) | 4040 (52.5) | 3620 (58.5) | 3220 (62) |
| 110 | 3290 (39.5) | 3640 (43) | | 3760 (50.5) | 3410 (56) | 3180 (59.5) |
| 115 | 2830 (36) | 3130 (39.5) | | 3290 (48) | 3230 (53.5) | 3060 (56.5) |
| 120 | 2420 (32) | 2660 (35) | | 2860 (45.5) | 3050 (51) | 2940 (53.5) |
| 125 | 2040 (27.5) | 2240 (30.5) | | 2470 (42.5) | 2890 (48.5) | 2800 (50.5) |
| 130 | 1700 (22) | | | 2120 (39.5) | 2590 (45.5) | |
| 135 | | | | 1790 (36.5) | 2200 (42.5) | |
| 140 | | | | 1480 (33) | 1840 (38.5) | |
| 145 | | | | 1200 (29.5) | 1500 (34.5) | |
| No load stability data | | | | | | |
| Min. boom angle for indicated length | 21° | 25° | 45° | 28° | 28° | 45° |
| Max. boom length at 0° boom angle | | 100 ft | | | 90 ft | |

NOTE: () Boom angles are in degrees. A6-829-101337

*This capacity is based upon maximum boom angle.

#LMI operating code. Refer to LMI manual for instructions.

NOTES:

1. All capacities above the bold line are based on structural strength of boom extension.
2. 33 ft and 56 ft boom extension lengths may be used for single line lifting service.
3. Radii listed are for a fully extended boom with the boom extension erected. For main boom lengths less than fully extended, the rated loads are determined by boom angle. Use only the column which corresponds to the boom extension length and offset for which the machine is configured. For boom angles not shown, use the rating of the next lower boom angle.
4. **WARNING:** Operation of this machine with heavier loads than the capacities listed is strictly prohibited. Machine tipping with boom extension occurs rapidly and without advance warning.
5. Boom angle is the angle above or below horizontal of the longitudinal axis of the boom base section after lifting rated load.
6. Capacities listed are with outriggers properly extended and vertical jacks set only.

TMS760E load charts



| #0101 | | | | | | | | | |
|-------|--------------------------|------------------|------------------|------------------|------------------|------------------|------------------|------------------|------------------|
| Feet | Main boom length in feet | | | | | | | | |
| | 35 | 40 | 50 | **60 | 70 | 80 | 90 | 100 | 110 |
| 10 | 120,000 (69) | 84,400 (72) | 80,200 (76) | *62,500 (78) | | | | | |
| 12 | 100,000 (65.5) | 84,400 (68.5) | 80,200 (73.5) | 62,500 (77) | *36,800 (78) | | | | |
| 15 | 87,300 (59.5) | 82,700 (63.5) | 80,200 (70) | 61,000 (74) | 36,800 (76.5) | *36,800 (78) | *31,000 (78) | | |
| 20 | 68,250 (49) | 65,000 (55) | 64,300 (63.5) | 50,650 (69) | 36,800 (72) | 36,800 (75) | 31,000 (77) | *29,100 (78) | *24,000 (78) |
| 25 | 48,550 (36) | 48,350 (45) | 47,650 (56.5) | 41,800 (63.5) | 36,800 (68) | 34,000 (71) | 30,000 (73.5) | 27,000 (76) | 24,000 (77.5) |
| 30 | | 34,300 (31.5) | 33,650 (48.5) | 32,800 (57.5) | 33,400 (63) | 29,000 (67) | 25,300 (70.5) | 24,200 (72.5) | 22,000 (75) |
| 35 | | | 25,250 (40) | 24,350 (51.5) | 25,000 (58) | 25,000 (63) | 22,200 (67) | 21,750 (69.5) | 20,000 (72) |
| 40 | | | 19,500 (28) | 18,700 (45) | 19,350 (53) | 20,050 (59) | 20,200 (63) | 19,000 (66.5) | 18,500 (69) |
| 45 | | | | 14,650 (37) | 15,350 (47.5) | 16,050 (54.5) | 16,750 (59.5) | 17,300 (63) | 17,300 (66.5) |
| 50 | | | | 11,550 (26.5) | 12,350 (41) | 13,050 (49.5) | 13,750 (55.5) | 14,300 (60) | 14,850 (63.5) |
| 55 | | | | | 9,960 (33.5) | 10,700 (44.5) | 11,450 (51) | 11,900 (56.5) | 12,400 (60) |
| 60 | | | | | 8,040 (24) | 8,850 (38.5) | 9,590 (47) | 10,000 (52.5) | 10,400 (57) |
| 65 | | | | | | 7,280 (31.5) | 8,070 (42) | 8,450 (48.5) | 8,830 (53.5) |
| 70 | | | | | | 5,970 (22.5) | 6,760 (36.5) | 7,140 (44.5) | 7,480 (50) |
| 75 | | | | | | | 5,660 (30) | 6,020 (40) | 6,350 (46.5) |
| 80 | | | | | | | 4,710 (21.5) | 5,050 (34.5) | 5,370 (42.5) |
| 85 | | | | | | | | 4,210 (28.5) | 4,510 (38) |
| 90 | | | | | | | | 3,460 (20.5) | 3,750 (33) |
| 95 | | | | | | | | | 3,080 (27.5) |
| 100 | | | | | | | | | 2,480 (19.5) |
| | | | | | | | | | 0 |
| | | | | | | | | | 110 |

NOTE: () Boom angles are in degrees. #LMI operating code. Refer to LMI manual for instructions. *This capacity is based on maximum boom angle. Lifting capacities at zero degree boom angle.

| Boom angle | Main boom length in feet | | | | | | | | |
|------------|--------------------------|------------------|------------------|-----------------|-----------------|-----------------|-----------------|-----------------|------------------|
| | 35 | 40 | 50 | **60 | 70 | 80 | 90 | 100 | 110 |
| 0° | 29,050 (29.8) | 24,450 (34.2) | 16,000 (44.2) | 9,340 (54.6) | 6,710 (64.2) | 5,030 (74.2) | 4,020 (84.2) | 2,920 (94.2) | 2,030 (104.2) |

NOTE: () Reference radii in feet. **60 ft boom length is with inner-mid extended and outer-mid & fly retracted.



| #0101 | | | | | | | | | |
|-------|--------------------------|------------------|------------------|------------------|------------------|------------------|------------------|------------------|------------------|
| Feet | Main boom length in feet | | | | | | | | |
| | 35 | 40 | 50 | **60 | 70 | 80 | 90 | 100 | 110 |
| 10 | 120,000 (69) | 84,400 (72) | 80,200 (76) | *62,500 (78) | | | | | |
| 12 | 100,000 (65.5) | 84,400 (68.5) | 80,200 (73.5) | 62,500 (77) | *36,800 (78) | | | | |
| 15 | 87,300 (59.5) | 82,700 (63.5) | 80,200 (70) | 61,000 (74) | 36,800 (76.5) | *36,800 (78) | *31,000 (78) | | |
| 20 | 68,250 (49) | 65,000 (55) | 64,300 (63.5) | 50,650 (69) | 36,800 (72) | 36,800 (75) | 31,000 (77) | *29,100 (78) | *24,000 (78) |
| 25 | 52,900 (36) | 52,700 (45) | 52,000 (56.5) | 41,800 (63.5) | 36,800 (68) | 34,000 (71) | 30,000 (73.5) | 27,000 (76) | 24,000 (77.5) |
| 30 | | 41,750 (31.5) | 39,600 (48.5) | 38,000 (57.5) | 33,400 (63) | 29,000 (67) | 25,300 (70.5) | 24,200 (72.5) | 22,000 (75) |
| 35 | | | 32,400 (40) | 29,750 (51.5) | 28,700 (58) | 25,000 (63) | 22,200 (67) | 21,750 (69.5) | 20,000 (72) |
| 40 | | | 26,050 (28) | 25,500 (45) | 23,600 (53) | 22,000 (59) | 20,200 (63) | 19,000 (66.5) | 18,500 (69) |
| 45 | | | | 20,000 (47.5) | 19,700 (54.5) | 18,800 (61) | 17,800 (67.5) | 17,300 (72.5) | 17,300 (75.5) |
| 50 | | | | 16,650 (26.5) | 16,800 (41) | 16,500 (49.5) | 16,000 (55.5) | 16,000 (60) | 16,000 (63.5) |
| 55 | | | | | 14,500 (33.5) | 14,650 (44.5) | 14,100 (51) | 14,100 (56.5) | 14,100 (60) |
| 60 | | | | | 12,100 (24) | 12,800 (38.5) | 12,200 (47) | 12,200 (52.5) | 12,200 (57) |
| 65 | | | | | | 10,950 (31.5) | 10,800 (42) | 10,600 (48.5) | 10,600 (53.5) |
| 70 | | | | | | 9,290 (22.5) | 9,450 (36.5) | 9,000 (44.5) | 9,000 (50) |
| 75 | | | | | | | 8,290 (30) | 7,800 (40) | 7,800 (46.5) |
| 80 | | | | | | | 7,140 (21.5) | 6,600 (34.5) | 6,600 (42.5) |
| 85 | | | | | | | | 5,800 (28.5) | 5,800 (38) |
| 90 | | | | | | | | 5,000 (20.5) | 5,000 (33) |
| 95 | | | | | | | | | 4,440 (27.5) |
| 100 | | | | | | | | | 3,800 (19.5) |
| | | | | | | | | | 0 |
| | | | | | | | | | 110 |

NOTE: () Boom angles are in degrees. #LMI operating code. Refer to LMI manual for instructions. *This capacity is based on maximum boom angle. Lifting capacities at zero degree boom angle.

| Boom angle | Main boom length in feet | | | | | | | | |
|------------|--------------------------|------------------|------------------|------------------|-----------------|-----------------|-----------------|-----------------|------------------|
| | 35 | 40 | 50 | **60 | 70 | 80 | 90 | 100 | 110 |
| 0° | 29,050 (29.8) | 24,450 (34.2) | 17,050 (44.2) | 11,950 (54.6) | 9,640 (64.2) | 7,810 (78.2) | 6,390 (84.2) | 4,770 (94.2) | 3,350 (104.2) |

NOTE: () Reference radii in feet. **60 ft boom length is with inner-mid extended and outer-mid & fly retracted.

THIS CHART IS ONLY A GUIDE AND SHOULD NOT BE USED TO OPERATE THE CRANE.

The individual crane's load chart, operating instructions and other instructional plates must be read and understood prior to operating the crane.

Load chart



| Pounds | | | | | | |
|--------|-----------------------|------------------------|------------------------|-----------------------|------------------------|------------------------|
| Feet | 33 ft length | | | 56 ft length | | |
| | #0121 0° Offset | #0122 25° Offset | #0123 45° Offset | #0141 0° Offset | #0142 25° Offset | #0143 45° Offset |
| 30 | 12,900 (78) | | | | | |
| 35 | 12,900 (76) | | | *8330 (78) | | |
| 40 | 12,900 (74) | *10,850 (78) | | 8330 (77.5) | | |
| 45 | 12,900 (72) | 10,450 (77) | *7410 (78) | 8330 (76) | | |
| 50 | 12,100 (70) | 10,000 (74.5) | 7200 (77.5) | 8330 (74.5) | | |
| 55 | 11,100 (68) | 9220 (72.5) | 6990 (75) | 8250 (73) | *5300 (78) | |
| 60 | 10,100 (66) | 8550 (70.5) | 6800 (72.5) | 7540 (71) | 5140 (77) | |
| 65 | 9130 (63.5) | 7930 (68) | 6650 (70.5) | 7160 (69) | 5100 (75) | *3860 (78) |
| 70 | 7960 (61.5) | 7380 (65.5) | 6490 (68) | 6820 (67.5) | 5100 (73) | 3790 (77.5) |
| 75 | 6870 (59) | 6900 (63) | 6370 (65.5) | 6300 (65.5) | 4800 (71) | 3660 (75) |
| 80 | 5930 (56.5) | 6470 (60.5) | 6110 (62.5) | 5810 (63.5) | 4580 (69) | 3550 (73) |
| 85 | 5120 (54) | 5880 (58) | 5780 (60) | 5370 (61.5) | 4470 (67.5) | 3450 (71) |
| 90 | 4410 (51) | 5070 (55.5) | 5440 (57) | 4960 (59.5) | 4330 (65.5) | 3410 (68.5) |
| 95 | 3780 (48.5) | 4350 (52.5) | 4680 (54) | 4310 (57) | 4070 (63) | 3300 (66.5) |
| 100 | 3230 (45.5) | 3710 (49.5) | 4010 (51) | 3730 (55) | 3830 (61) | 3260 (64) |
| 105 | 2730 (42.5) | 3140 (46.5) | 3410 (47.5) | 3210 (52.5) | 3620 (58.5) | 3220 (62) |
| 110 | 2280 (39.5) | 2630 (43) | | 2750 (50.5) | 3410 (56) | 3180 (59.5) |
| 115 | 1870 (36) | 2170 (39.5) | | 2330 (48) | 3020 (53.5) | 3060 (56.5) |
| 120 | 1500 (32) | 1750 (35) | | 1940 (45.5) | 2550 (51) | 2800 (53.5) |
| 125 | 1170 (27.5) | 1360 (30.5) | | 1590 (42.5) | 2130 (48.5) | 2330 (50.5) |
| 130 | | | | 1270 (39.5) | 1740 (45.5) | |
| 135 | | | | | 1390 (42.5) | |
| 140 | | | | | 1060 (38.5) | |

No load stability data

| Min. boom angle for indicated length | 25° | 25° | 45° | 33° | 36° | 45° |
|--------------------------------------|-----------------------------------|-----|-------|-----|-----|-------|
| | Max. boom length at 0° boom angle | | 90 ft | | | 80 ft |

NOTE: () Boom angles are in degrees.

A6-829-101338

*This capacity is based upon maximum boom angle.

#LMI operating code. Refer to LMI manual for instructions.

NOTES:

- All capacities above the bold line are based on structural strength of boom extension.
- 33 ft and 56 ft boom extension lengths may be used for single line lifting service.
- Radii listed are for a fully extended boom with the boom extension erected. For main boom lengths less than fully extended, the rated loads are determined by boom angle. Use only the column which corresponds to the boom extension length and offset for which the machine is configured. For boom angles not shown, use the rating of the next lower boom angle.
- WARNING:** Operation of this machine with heavier loads than the capacities listed is strictly prohibited. Machine tipping with boom extension occurs rapidly and without advance warning.
- Boom angle is the angle above or below horizontal of the longitudinal axis of the boom base section after lifting rated load.
- Capacities listed are with outriggers properly extended and vertical jacks set only.

TMS760E load charts






36 ft – 110 ft **5500 lb** **100% 20 ft** **360°**

| #O201 | | | | | | | | | |
|-------|--------------------------|------------------|------------------|------------------|------------------|------------------|------------------|------------------|------------------|
| Feet | Main boom length in feet | | | | | | | | |
| | 35 | 40 | 50 | **60 | 70 | 80 | 90 | 100 | 110 |
| 10 | 118,500 (63) | 84,400 (72) | 80,200 (76) | *62,500 (78) | | | | | |
| 12 | 100,000 (65.5) | 84,400 (68.5) | 80,200 (73.5) | 62,500 (77) | *36,800 (78) | | | | |
| 15 | 87,300 (59.5) | 82,700 (63.5) | 80,200 (70) | 61,000 (74) | 36,800 (76.5) | *36,800 (78) | *31,000 (78) | | |
| 20 | 66,000 (49) | 65,000 (55) | 64,300 (63.5) | 50,650 (69) | 36,800 (72) | 36,800 (75) | 31,000 (77) | *29,100 (78) | *24,000 (78) |
| 25 | 41,100 (36) | 41,000 (45) | 40,600 (56.5) | 40,150 (63.5) | 36,800 (68) | 34,000 (71) | 30,000 (73.5) | 27,000 (76) | 24,000 (77.5) |
| 30 | | 28,400 (31.5) | 28,150 (48.5) | 27,750 (57.5) | 28,450 (63) | 29,000 (67) | 25,300 (70.5) | 24,200 (72.5) | 22,000 (75) |
| 35 | | | 20,700 (40) | 20,300 (51.5) | 21,000 (58) | 21,750 (63) | 22,200 (67) | 21,750 (69.5) | 20,000 (72) |
| 40 | | | 15,600 (28) | 15,350 (45) | 16,050 (53) | 16,750 (59) | 17,500 (63) | 17,900 (66.5) | 18,300 (69) |
| 45 | | | | 11,750 (37) | 12,500 (47.5) | 13,200 (54.5) | 13,950 (59.5) | 14,300 (63) | 14,700 (66.5) |
| 50 | | | | 9040 (26.5) | 9850 (41) | 10,550 (49.5) | 11,250 (55.5) | 11,650 (60) | 12,000 (63.5) |
| 55 | | | | | 7720 (33.5) | 8500 (44.5) | 9210 (51) | 9570 (56.5) | 9940 (60) |
| 60 | | | | | 6010 (24) | 6810 (38.5) | 7550 (47) | 7900 (52.5) | 8260 (57) |
| 65 | | | | | | 5410 (31.5) | 6190 (42) | 6540 (48.5) | 6880 (53.5) |
| 70 | | | | | | 4250 (22.5) | 5020 (36.5) | 5400 (44.5) | 5740 (50) |
| 75 | | | | | | | 4030 (30) | 4420 (40) | 4770 (46.5) |
| 80 | | | | | | | 3190 (21.5) | 3570 (34.5) | 3940 (42.5) |
| 85 | | | | | | | | 2830 (28.5) | 3200 (38) |
| 90 | | | | | | | | 2180 (20.5) | 2550 (33) |
| 95 | | | | | | | | | 1980 (27.5) |
| 100 | | | | | | | | | 1470 (19.5) |
| | | | | | | | | | 0 |
| | | | | | | | | | 110 |

NOTE: () Boom angles are in degrees. #LMI operating code. Refer to LMI manual for instructions. *This capacity is based on maximum boom angle. Lifting capacities at zero degree boom angle.

| Boom angle | Main boom length in feet | | | | | | | | |
|------------|--------------------------|------------------|------------------|----------------|----------------|----------------|----------------|----------------|-----------------|
| | 35 | 40 | 50 | **60 | 70 | 80 | 90 | 100 | 110 |
| 0° | 28,850 (29.8) | 21,800 (34.2) | 12,500 (44.2) | 7080 (54.6) | 4830 (64.2) | 3410 (74.2) | 2570 (84.2) | 1710 (94.2) | 1080 (104.2) |

NOTE: () Reference radii in feet. **60 ft boom length is with inner-mid extended and outer-mid & fly retracted.

A6-829-101322






36 ft – 110 ft **5500 lb** **100% 20 ft** **Over rear**

| #O201 | | | | | | | | | |
|-------|--------------------------|------------------|------------------|------------------|------------------|------------------|------------------|------------------|------------------|
| Feet | Main boom length in feet | | | | | | | | |
| | 35 | 40 | 50 | **60 | 70 | 80 | 90 | 100 | 110 |
| 10 | 120,000 (63) | 84,400 (72) | 80,200 (76) | *62,500 (78) | | | | | |
| 12 | 100,000 (65.5) | 84,400 (68.5) | 80,200 (73.5) | 62,500 (77) | *36,800 (78) | | | | |
| 15 | 87,300 (59.5) | 82,700 (63.5) | 80,200 (70) | 61,000 (74) | 36,800 (76.5) | *36,800 (78) | *31,000 (78) | | |
| 20 | 66,000 (49) | 65,000 (55) | 64,300 (63.5) | 50,650 (69) | 36,800 (72) | 36,800 (75) | 31,000 (77) | *29,100 (78) | *24,000 (78) |
| 25 | 41,100 (36) | 38,100 (45) | 38,200 (56.5) | 38,000 (63.5) | 33,400 (68) | 29,000 (71) | 25,300 (73.5) | 24,200 (76) | 22,000 (77.5) |
| 30 | | 38,100 (31.5) | 38,200 (48.5) | 38,000 (57.5) | 33,400 (63) | 29,000 (67) | 25,300 (70.5) | 24,200 (72.5) | 22,000 (75) |
| 35 | | | 28,700 (40) | 28,600 (51.5) | 28,700 (58) | 25,000 (63) | 22,200 (67) | 21,750 (69.5) | 20,000 (72) |
| 40 | | | 22,200 (28) | 22,200 (45) | 23,000 (53) | 22,000 (59) | 20,200 (63) | 19,000 (66.5) | 18,500 (69) |
| 45 | | | | 17,600 (37) | 18,400 (47.5) | 18,800 (54.5) | 17,800 (59.5) | 17,300 (63) | 17,300 (66.5) |
| 50 | | | | 14,100 (26.5) | 14,950 (41) | 15,750 (49.5) | 16,000 (55.5) | 16,000 (60) | 16,000 (63.5) |
| 55 | | | | | 12,250 (33.5) | 13,050 (44.5) | 13,800 (51) | 14,100 (56.5) | 14,100 (60) |
| 60 | | | | | 10,050 (24) | 10,900 (38.5) | 11,650 (47) | 12,000 (52.5) | 12,200 (57) |
| 65 | | | | | | 9100 (31.5) | 9890 (42) | 10,200 (48.5) | 10,550 (53.5) |
| 70 | | | | | | 7590 (22.5) | 8380 (36.5) | 8740 (44.5) | 9000 (50) |
| 75 | | | | | | | 7100 (30) | 7480 (40) | 7800 (46.5) |
| 80 | | | | | | | 5990 (21.5) | 6370 (34.5) | 6600 (42.5) |
| 85 | | | | | | | | 5410 (28.5) | 5770 (38) |
| 90 | | | | | | | | 4570 (20.5) | 4920 (33) |
| 95 | | | | | | | | | 4180 (27.5) |
| 100 | | | | | | | | | 3520 (19.5) |
| | | | | | | | | | 0 |
| | | | | | | | | | 110 |

NOTE: () Boom angles are in degrees. #LMI operating code. Refer to LMI manual for instructions. *This capacity is based on maximum boom angle. Lifting capacities at zero degree boom angle.

| Boom angle | Main boom length in feet | | | | | | | | |
|------------|--------------------------|------------------|------------------|------------------|----------------|----------------|----------------|----------------|-----------------|
| | 35 | 40 | 50 | **60 | 70 | 80 | 90 | 100 | 110 |
| 0° | 29,050 (29.8) | 24,450 (34.2) | 17,050 (44.2) | 11,600 (54.6) | 8550 (64.2) | 6520 (74.2) | 5190 (84.2) | 3950 (94.2) | 3020 (104.2) |

NOTE: () Reference radii in feet. **60 ft boom length is with inner-mid extended and outer-mid & fly retracted.

A6-829-101323

THIS CHART IS ONLY A GUIDE AND SHOULD NOT BE USED TO OPERATE THE CRANE.

The individual crane's load chart, operating instructions and other instructional plates must be read and understood prior to operating the crane.

Load chart



| | | Pounds | | | | | |
|--------------------------------------|-------------|---------------|--------------|------------|--------------|-------------|-------------|
| | | 33 ft length | | | 56 ft length | | |
| Feet | Offset | #0221 | #0222 | #0223 | #0241 | #0242 | #0243 |
| | | 0° | 25° | 45° | 0° | 25° | 45° |
| 30 | 12,900 (78) | | | | | | |
| 35 | 12,900 (76) | | | | *8330 (78) | | |
| 40 | 12,900 (74) | | *10,850 (78) | | 8330 (77.5) | | |
| 45 | 12,900 (72) | 10,450 (77) | | *7410 (78) | 8330 (76) | | |
| 50 | 12,100 (70) | 10,000 (74.5) | 7200 (77.5) | | 8330 (74.5) | | |
| 55 | 10,450 (68) | 9220 (72.5) | 6990 (75) | | 8250 (73) | *5300 (78) | |
| 60 | 8780 (66) | 8550 (70.5) | 6800 (72.5) | | 7540 (71) | 5140 (77) | |
| 65 | 7420 (63.5) | 7930 (68) | 6650 (70.5) | | 7160 (69) | 5100 (75) | *3860 (78) |
| 70 | 6280 (61.5) | 7260 (65.5) | 6490 (68) | | 6820 (67.5) | 5100 (73) | 3790 (77.5) |
| 75 | 5310 (59) | 6180 (63) | 6370 (65.5) | | 6030 (65.5) | 4800 (71) | 3660 (75) |
| 80 | 4490 (56.5) | 5250 (60.5) | 5840 (62.5) | | 5150 (63.5) | 4580 (69) | 3550 (73) |
| 85 | 3770 (54) | 4450 (58) | 4950 (60) | | 4400 (61.5) | 4470 (67.5) | 3450 (71) |
| 90 | 3150 (51) | 3750 (55.5) | 4180 (57) | | 3730 (59.5) | 4330 (65.5) | 3410 (68.5) |
| 95 | 2590 (48.5) | 3130 (52.5) | 3490 (54) | | 3140 (57) | 4070 (63) | 3300 (66.5) |
| 100 | 2100 (45.5) | 2580 (49.5) | 2890 (51) | | 2620 (55) | 3590 (61) | 3260 (64) |
| 105 | 1660 (42.5) | 2080 (46.5) | 2340 (47.5) | | 2160 (52.5) | 3030 (58.5) | 3220 (62) |
| 110 | 1270 (39.5) | 1640 (43) | | | 1740 (50.5) | 2520 (56) | 2880 (59.5) |
| 115 | | 1240 (39.5) | | | 1360 (48) | 2050 (53.5) | 2360 (56.5) |
| 120 | | | | | 1010 (45.5) | 1640 (51) | 1890 (53.5) |
| 125 | | | | | | 1250 (48.5) | 1450 (50.5) |
| No load stability data | | | | | | | |
| Min. boom angle for indicated length | 37° | 37° | 45° | 45° | 46° | 48° | |
| Max. boom length at 0° boom angle | 80 ft | | | 60 ft | | | |

NOTE: () Boom angles are in degrees. A6-829-101339
 *This capacity is based upon maximum boom angle.
 #IMI operating code. Refer to IMI manual for instructions.

NOTES:

- All capacities above the bold line are based on structural strength of boom extension.
- 33 ft and 56 ft boom extension lengths may be used for single line lifting service.
- Radii listed are for a fully extended boom with the boom extension erected. For main boom lengths less than fully extended, the rated loads are determined by boom angle. Use only the column which corresponds to the boom extension length and offset for which the machine is configured. For boom angles not shown, use the rating of the next lower boom angle.
- WARNING:** Operation of this machine with heavier loads than the capacities listed is strictly prohibited. Machine tipping with boom extension occurs rapidly and without advance warning.
- Boom angle is the angle above or below horizontal of the longitudinal axis of the boom base section after lifting rated load.
- Capacities listed are with outriggers properly extended and vertical jacks set only.

THIS CHART IS ONLY A GUIDE AND SHOULD NOT BE USED TO OPERATE THE CRANE.

TMS760E load charts



| #0801 | | | | | | | | | |
|---|--------------------------|------------------|------------------|------------------|------------------|------------------|------------------|------------------|------------------|
| Feet | Main boom length in feet | | | | | | | | |
| | 35 | 40 | 50 | **60 | 70 | 80 | 90 | 100 | 110 |
| 10 | 117,500 (69) | 84,400 (72) | 80,200 (76) | *62,500 (78) | | | | | |
| 12 | 100,000 (65.5) | 84,400 (68.5) | 80,200 (73.5) | 62,500 (77) | *36,800 (78) | | | | |
| 15 | 87,300 (59.5) | 82,700 (63.5) | 80,200 (70) | 61,000 (74) | 36,800 (76.5) | *36,800 (78) | *31,000 (78) | | |
| 20 | 56,000 (49) | 55,750 (55) | 55,300 (63.5) | 50,650 (69) | 36,800 (72) | 36,800 (75) | 31,000 (77) | *29,100 (78) | *24,000 (78) |
| 25 | 34,350 (36) | 34,300 (45) | 33,850 (56.5) | 33,400 (63.5) | 34,100 (68) | 34,000 (71) | 30,000 (73.5) | 27,000 (76) | 24,000 (77.5) |
| 30 | | 23,350 (31.5) | 23,100 (48.5) | 22,700 (57.5) | 23,400 (63) | 24,150 (67) | 24,850 (70.5) | 24,200 (72.5) | 22,000 (75) |
| 35 | | | 16,650 (40) | 16,250 (51.5) | 16,950 (58) | 17,700 (63) | 18,400 (67) | 18,850 (69.5) | 19,300 (72) |
| 40 | | | 12,250 (28) | 12,000 (45) | 12,650 (53) | 13,400 (59) | 14,100 (63) | 14,550 (66.5) | 14,950 (69) |
| 45 | | | | 8890 (27) | 9620 (47.5) | 10,300 (54.5) | 11,050 (59.5) | 11,450 (63) | 11,800 (66.5) |
| 50 | | | | 6510 (26.5) | 7330 (41) | 8040 (49.5) | 8750 (55.5) | 9130 (60) | 9510 (63.5) |
| 55 | | | | | 5470 (33.5) | 6250 (44.5) | 6960 (51) | 7320 (56.5) | 7690 (60) |
| 60 | | | | | 3930 (24) | 4700 (38.5) | 5530 (47) | 5880 (52.5) | 6240 (57) |
| 65 | | | | | | 3580 (31.5) | 4350 (42) | 4700 (48.5) | 5050 (53.5) |
| 70 | | | | | | 2560 (22.5) | 3340 (36.5) | 3710 (44.5) | 4060 (50) |
| 75 | | | | | | | 2480 (30) | 2870 (40) | 3220 (46.5) |
| 80 | | | | | | | 1740 (21.5) | 2130 (34.5) | 2500 (42.5) |
| 85 | | | | | | | | 1480 (28.5) | 1850 (38) |
| 90 | | | | | | | | | 1290 (33) |
| | | | | | | | | 14 | 26 |
| NOTE: () Boom angles are in degrees. #LMI operating code. Refer to LMI manual for instructions. *This capacity is based on maximum boom angle. | | | | | | | | | |
| Lifting capacities at zero degree boom angle | | | | | | | | | |
| Main boom length in feet | | | | | | | | | |
| Boom angle | 35 | 40 | 50 | **60 | 70 | 80 | 90 | 100 | 110 |
| 0° | 23,700 (29.8) | 17,650 (34.2) | 9550 (44.2) | 4810 (54.6) | 2960 (64.2) | 1840 (74.2) | 1210 (84.2) | | 90 |
| NOTE: () Reference radii in feet. | | | | | | | | | |
| **60 ft boom length is with inner-mid extended and outer-mid & fly retracted. | | | | | | | | | |



| #0801 | | | | | | | | | |
|---|--------------------------|------------------|------------------|------------------|------------------|------------------|------------------|------------------|------------------|
| Feet | Main boom length in feet | | | | | | | | |
| | 35 | 40 | 50 | **60 | 70 | 80 | 90 | 100 | 110 |
| 10 | 120,000 (69) | 84,400 (72) | 80,200 (76) | *62,500 (78) | | | | | |
| 12 | 100,000 (65.5) | 84,400 (68.5) | 80,200 (73.5) | 62,500 (77) | *36,800 (78) | | | | |
| 15 | 87,300 (59.5) | 82,700 (63.5) | 80,200 (70) | 61,000 (74) | 36,800 (76.5) | *36,800 (78) | *31,000 (78) | | |
| 20 | 62,400 (49) | 62,200 (55) | 61,800 (63.5) | 50,650 (69) | 36,800 (69) | 36,800 (75) | 31,000 (77) | *29,100 (78) | *24,000 (78) |
| 25 | 47,250 (36) | 47,050 (45) | 46,700 (56.5) | 41,800 (63.5) | 36,800 (68) | 34,000 (71) | 30,000 (73.5) | 27,000 (76) | 24,000 (77.5) |
| 30 | | 32,950 (31.5) | 33,100 (48.5) | 33,050 (57.5) | 33,400 (63) | 29,000 (67) | 25,300 (70.5) | 24,200 (72.5) | 22,000 (75) |
| 35 | | | 24,600 (40) | 24,500 (51.5) | 25,350 (58) | 25,000 (63) | 22,200 (67) | 21,750 (69.5) | 20,000 (72) |
| 40 | | | 18,800 (28) | 18,750 (45) | 19,600 (59) | 20,450 (72) | 20,200 (84.2) | 19,000 (66.5) | 18,500 (69) |
| 45 | | | | 14,650 (37) | 15,500 (47.5) | 16,300 (54.5) | 17,100 (59.5) | 17,300 (63) | 17,300 (66.5) |
| 50 | | | | 11,550 (26.5) | 12,400 (41) | 13,200 (49.5) | 14,000 (55.5) | 14,350 (60) | 14,750 (63.5) |
| 55 | | | | | 9990 (33.5) | 10,800 (44.5) | 11,550 (51) | 11,900 (56.5) | 12,300 (60) |
| 60 | | | | | 8020 (24) | 8660 (38.5) | 9620 (47) | 9980 (52.5) | 10,300 (57) |
| 65 | | | | | | 7240 (31.5) | 8030 (42) | 8370 (48.5) | 8720 (53.5) |
| 70 | | | | | | 5890 (22.5) | 6680 (36.5) | 7040 (44.5) | 7380 (50) |
| 75 | | | | | | | 5520 (30) | 5910 (40) | 6240 (46.5) |
| 80 | | | | | | | 4540 (21.5) | 4910 (34.5) | 5270 (42.5) |
| 85 | | | | | | | | 4050 (28.5) | 4410 (38) |
| 90 | | | | | | | | 3300 (20.5) | 3650 (33) |
| 95 | | | | | | | | | 2980 (27.5) |
| 100 | | | | | | | | | 2380 (19.5) |
| NOTE: () Boom angles are in degrees. #LMI operating code. Refer to LMI manual for instructions. *This capacity is based on maximum boom angle. | | | | | | | | | |
| Lifting capacities at zero degree boom angle | | | | | | | | | |
| Main boom length in feet | | | | | | | | | |
| Boom angle | 35 | 40 | 50 | **60 | 70 | 80 | 90 | 100 | 110 |
| 0° | 29,050 (29.8) | 24,450 (34.2) | 15,250 (44.2) | 9320 (54.6) | 6660 (64.2) | 4930 (74.2) | 3820 (84.2) | 2740 (94.2) | 1940 (104.2) |
| NOTE: () Reference radii in feet. | | | | | | | | | |
| **60 ft boom length is with inner-mid extended and outer-mid & fly retracted. | | | | | | | | | |

THIS CHART IS ONLY A GUIDE AND SHOULD NOT BE USED TO OPERATE THE CRANE.

The individual crane's load chart, operating instructions and other instructional plates must be read and understood prior to operating the crane.

Load chart



| Pounds | | | | | | |
|--------|-----------------------|------------------------|------------------------|-----------------------|------------------------|------------------------|
| Feet | 33 ft length | | | 56 ft length | | |
| | #0821 0° Offset | #0822 25° Offset | #0823 45° Offset | #0841 0° Offset | #0842 25° Offset | #0843 45° Offset |
| 30 | 12,900 (78) | | | | | |
| 35 | 12,900 (76) | | | *8330 (78) | | |
| 40 | 12,900 (74) | *10,850 (78) | | 8330 (77.5) | | |
| 45 | 12,800 (72) | 10,450 (77) | *7410 (78) | 8330 (76) | | |
| 50 | 10,350 (70) | 10,000 (74.5) | 7200 (77.5) | 8330 (74.5) | | |
| 55 | 8510 (68) | 9220 (72.5) | 6990 (75) | 8250 (73) | *5300 (78) | |
| 60 | 7000 (66) | 8330 (70.5) | 6800 (72.5) | 7540 (71) | 5140 (77) | |
| 65 | 5770 (63.5) | 6930 (68) | 6650 (70.5) | 6420 (69) | 5100 (75) | *3860 (78) |
| 70 | 4740 (61.5) | 5760 (65.5) | 6370 (68) | 5370 (67.5) | 5100 (73) | 3790 (77.5) |
| 75 | 3870 (59) | 4770 (63) | 5310 (65.5) | 4480 (65.5) | 4800 (71) | 3660 (75) |
| 80 | 3130 (56.5) | 3920 (60.5) | 4390 (62.5) | 3710 (63.5) | 4580 (69) | 3550 (73) |
| 85 | 2480 (54) | 3180 (58) | 3610 (60) | 3050 (61.5) | 4110 (67.5) | 3450 (71) |
| 90 | 1920 (51) | 2540 (55.5) | 2910 (57) | 2470 (59.5) | 3450 (65.5) | 3410 (68.5) |
| 95 | 1420 (48.5) | 1970 (52.5) | 2310 (54) | 1960 (57) | 2860 (63) | 3300 (66.5) |
| 100 | | 1470 (49.5) | 1760 (51) | 1500 (55) | 2330 (61) | 2980 (64) |
| 105 | | 1020 (46.5) | 1280 (47.5) | 1090 (52.5) | 1870 (58.5) | 2390 (62) |
| 110 | | | | | 1450 (56) | 1870 (59.5) |
| 115 | | | | | 1060 (53.5) | 1400 (56.5) |

| No load stability data | | | | | | |
|--------------------------------------|-------|-----|-----|-------|-----|-----|
| Min. boom angle for indicated length | 46° | 45° | 45° | 48° | 51° | 51° |
| Max. boom length at 0° boom angle | 60 ft | | | 50 ft | | |

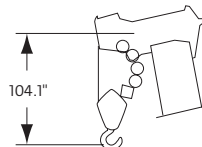
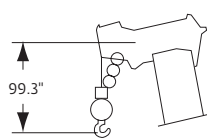
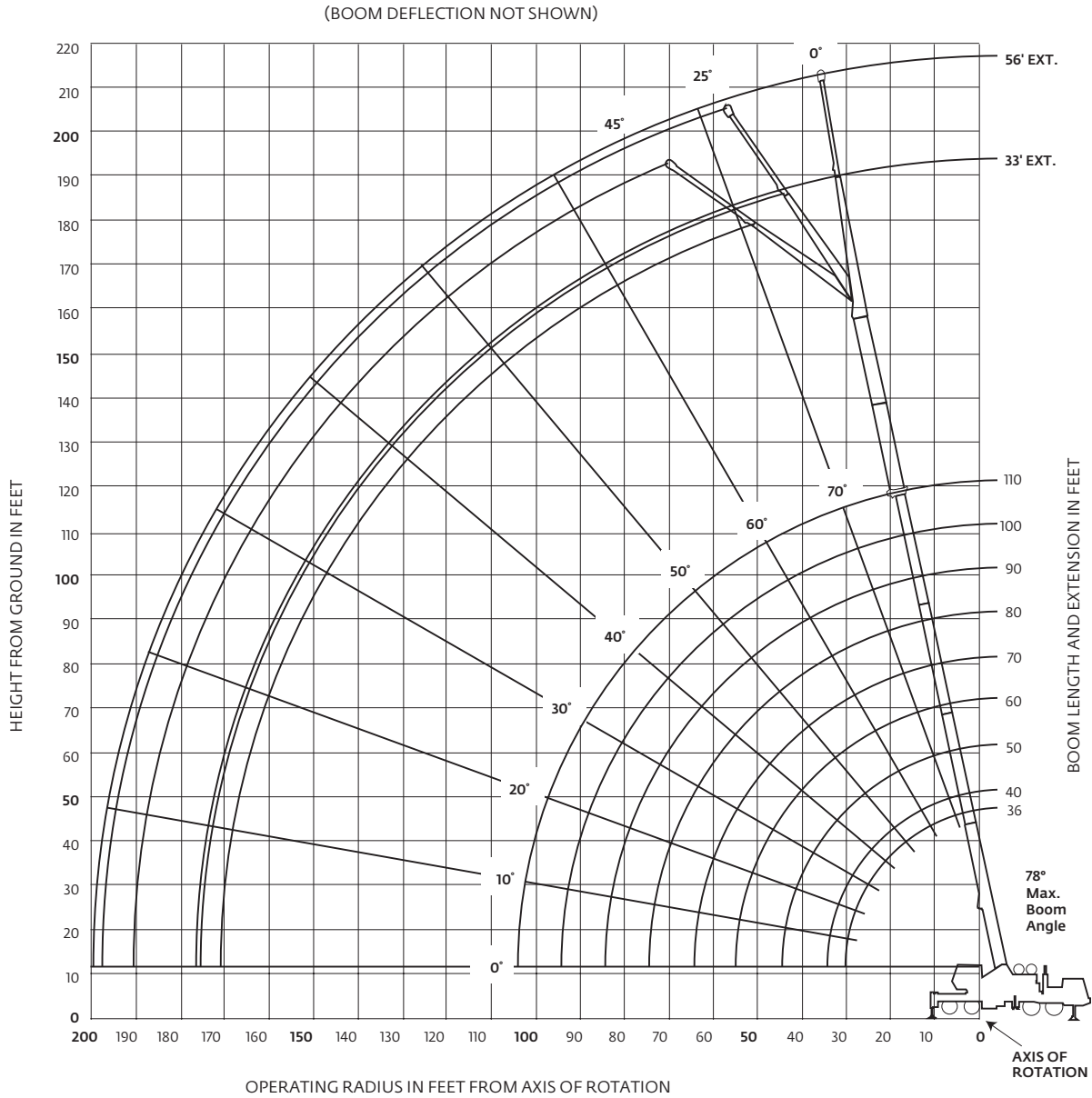
NOTE: () Boom angles are in degrees. A6-829-101340
 *This capacity is based upon maximum boom angle.
 #LMI operating code. Refer to LMI manual for instructions.

NOTES:

1. All capacities above the bold line are based on structural strength of boom extension.
2. 33 ft and 56 ft boom extension lengths may be used for single line lifting service.
3. Radii listed are for a fully extended boom with the boom extension erected. For main boom lengths less than fully extended, the rated loads are determined by boom angle. Use only the column which corresponds to the boom extension length and offset for which the machine is configured. For boom angles not shown, use the rating of the next lower boom angle.
4. **WARNING:** Operation of this machine with heavier loads than the capacities listed is strictly prohibited. Machine tipping with boom extension occurs rapidly and without advance warning.
5. Boom angle is the angle above or below horizontal of the longitudinal axis of the boom base section after lifting rated load.
6. Capacities listed are with outriggers properly extended and vertical jacks set only.

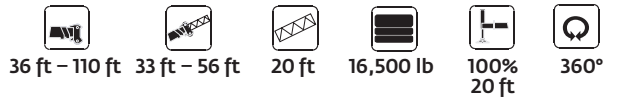
Working range

36 ft – 110 ft main boom and 33 ft – 56 ft lattice extension with 40 ft insert



Dimensions are for largest Grove furnished hook block and headache ball, with anti-two block activated.

Load chart



| Pounds | | | | | | |
|---------------------------------------|-----------------------|------------------------|------------------------|-----------------------|------------------------|------------------------|
| Feet | 33 ft length | | | 56 ft length | | |
| | #0064 0° Offset | #0065 25° Offset | #0066 45° Offset | #0084 0° Offset | #0085 25° Offset | #0086 45° Offset |
| 35 | *9360 (78) | | | | | |
| 40 | 9360 (77.5) | | | *6300 (78) | | |
| 45 | 8480 (76) | *7480 (78) | | 6300 (77.5) | | |
| 50 | 7680 (74) | 7070 (77.5) | | 6000 (77) | | |
| 55 | 6990 (72) | 6470 (76) | 5880 (78) | 5990 (75.5) | | |
| 60 | 6390 (70) | 5970 (74) | 5480 (76.5) | 5980 (73.5) | *4840 (78) | |
| 65 | 5890 (68.5) | 5570 (72.5) | 5080 (74.5) | 5510 (72) | 4840 (77.5) | |
| 70 | 5390 (66.5) | 5070 (70.5) | 4780 (72.5) | 5010 (70.5) | 4440 (76.5) | |
| 75 | 4990 (64.5) | 4770 (68.5) | 4480 (70.5) | 4560 (68.5) | 4050 (75) | *3760 (78) |
| 80 | 4650 (62.5) | 4400 (66) | 4190 (68) | 4170 (67) | 3870 (73) | 3460 (77) |
| 85 | 4300 (60) | 4150 (64) | 3890 (66) | 3820 (65) | 3570 (71.5) | 3260 (75) |
| 90 | 4000 (58) | 3850 (62) | 3690 (63.5) | 3520 (63.5) | 3320 (69.5) | 2960 (73) |
| 95 | 3760 (56) | 3650 (59.5) | 3500 (61.5) | 3220 (61.5) | 3070 (67.5) | 2770 (71) |
| 100 | 3510 (53.5) | 3410 (57.5) | 3300 (59) | 2980 (59.5) | 2880 (66) | 2570 (69) |
| 105 | 3260 (51) | 3210 (55) | 3100 (56.5) | 2780 (58) | 2680 (64) | 2460 (67) |
| 110 | 3070 (48.5) | 3020 (52.5) | 2930 (54) | 2530 (56) | 2480 (62) | 2340 (65) |
| 115 | 2870 (46) | 2870 (50) | 2780 (51) | 2340 (54) | 2280 (60) | 2200 (63) |
| 120 | 2550 (43.5) | 2730 (47) | | 2190 (52) | 2140 (57.5) | 2050 (60.5) |
| 125 | 2170 (40.5) | 2500 (44) | | 2000 (49.5) | 1990 (55.5) | 1910 (58) |
| 130 | 1820 (37.5) | 2100 (41) | | 1850 (47.5) | 1850 (53) | 1810 (55.5) |
| 135 | 1500 (34.5) | 1730 (37.5) | | 1720 (45) | 1750 (51) | 1670 (53) |
| 140 | 1210 (30.5) | 1390 (33.5) | | 1480 (42.5) | 1610 (48.5) | |
| 145 | | | | | 1520 (45.5) | |
| 150 | | | | | 1370 (43) | |
| No load stability data | | | | | | |
| Min. boom angle at 110 ft boom length | 22° | 29° | 45° | 38° | 40° | 45° |
| Max. boom length at 0° boom angle | 100 ft | | | 80 ft | | |

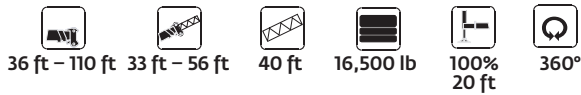
NOTE: () Boom angles are in degrees. A6-829-101484
 *This capacity is based upon maximum boom angle.
 #LMI operating code. Refer to LMI manual for instructions.

NOTES:

1. All capacities above the bold line are based on structural strength of boom extension.
2. 33 ft and 56 ft boom extension lengths may be used for single line lifting service.
3. Radii listed are for a fully extended boom with the boom extension erected. For main boom lengths less than fully extended, the rated loads are determined by boom angle. Use only the column which corresponds to the boom extension length and offset for which the machine is configured. For boom angles not shown, use the rating of the next lower boom angle.
4. **WARNING:** Operation of this machine with heavier loads than the capacities listed is strictly prohibited. Machine tipping with boom extension occurs rapidly and without advance warning.
5. Boom angle is the angle above or below horizontal of the longitudinal axis of the boom base section after lifting rated load.
6. Capacities listed are with outriggers properly extended and vertical jacks set only.

THIS CHART IS ONLY A GUIDE AND SHOULD NOT BE USED TO OPERATE THE CRANE.

Load chart



| Pounds | | | | | | |
|--------|----------------|----------------|----------------|----------------|----------------|----------------|
| Feet | 33 ft Length | | | 56 ft Length | | |
| | #0064 | #0065 | #0066 | #0084 | #0085 | #0086 |
| | 0° Offset | 25° Offset | 45° Offset | 0° Offset | 25° Offset | 45° Offset |
| 45 | 6560 (78) | | | | | |
| 50 | 5960 (76) | | | 4510 (78) | | |
| 55 | 5360 (74.5) | 5860 (78) | | 4210 (77.5) | | |
| 60 | 4860 (73) | 5260 (76.5) | *5170 (78) | 3910 (76) | | |
| 65 | 4370 (71) | 4870 (75) | 4670 (77.5) | 3710 (74.5) | | |
| 70 | 3970 (69.5) | 4370 (73) | 4270 (75.5) | 3410 (73) | *3710 (78) | |
| 75 | 3670 (67.5) | 4070 (71.5) | 3980 (73.5) | 3220 (71.5) | 3420 (77.5) | |
| 80 | 3270 (66) | 3670 (69.5) | 3680 (72) | 2820 (70) | 3120 (76) | |
| 85 | 2980 (64) | 3370 (68) | 3380 (70) | 2520 (68.5) | 2820 (74.5) | 2730 (77.5) |
| 90 | 2780 (62.5) | 3080 (66) | 3080 (68) | 2320 (66.5) | 2620 (72.5) | 2530 (76) |
| 95 | 2480 (60.5) | 2880 (64) | 2890 (66) | 2030 (65) | 2330 (71) | 2340 (74.5) |
| 100 | 2290 (58.5) | 2580 (62) | 2690 (64) | 1830 (63.5) | 2130 (69.5) | 2140 (72.5) |
| 105 | 2090 (56.5) | 2390 (60) | 2390 (62) | 1630 (62) | 1930 (68) | 1940 (71) |
| 110 | 1900 (54.5) | 2190 (58) | 2200 (60) | 1440 (60) | 1730 (66) | 1740 (69) |
| 115 | 1700 (52.5) | 2000 (56) | 2100 (58) | 1240 (58.5) | 1540 (64.5) | 1550 (67) |
| 120 | 1600 (50.5) | 1800 (54) | 1910 (55.5) | 1140 (57) | 1340 (62.5) | 1450 (65) |
| 125 | 1410 (48) | 1700 (51.5) | 1710 (53) | | 1240 (61) | 1260 (63.5) |
| 130 | 1310 (46) | 1510 (49.5) | 1520 (50.5) | | 1050 (59) | 1160 (61.5) |
| 135 | 1120 (43.5) | 1420 (47) | 1420 (48) | | | |
| 140 | 1030 (41) | 1220 (44.5) | | | | |
| 145 | | 1070 (41.5) | | | | |

No load stability data

| | | | | | | |
|---------------------------------------|-----|-------|-----|-----|-------|-----|
| Min. boom angle at 110 ft boom length | 40° | 40° | 47° | 56° | 58° | 60° |
| Max. boom length at 0° boom angle | | 70 ft | | | 40 ft | |

NOTE: () Boom angles are in degrees.

A6-829-101494

*This capacity is based upon maximum boom angle.

#LMI operating code. Refer to LMI manual for instructions.

NOTES:

1. All capacities above the bold line are based on structural strength of boom extension.
2. 33 ft and 56 ft boom extension lengths may be used for single line lifting service.
3. Radii listed are for a fully extended boom with the boom extension erected. For main boom lengths less than fully extended, the rated loads are determined by boom angle. Use only the column which corresponds to the boom extension length and offset for which the machine is configured. For boom angles not shown, use the rating of the next lower boom angle.
4. **WARNING:** Operation of this machine with heavier loads than the capacities listed is strictly prohibited. Machine tipping with boom extension occurs rapidly and without advance warning.
5. Boom angle is the angle above or below horizontal of the longitudinal axis of the boom base section after lifting rated load.
6. Capacities listed are with outriggers properly extended and vertical jacks set only.

Load handling

Weight reductions for load handling devices

11 m - 33,5 m (33 ft-56 ft) folding boom extension

*11 m (33 ft) extension (erected) 1973 kg (4350 lb)

*33,5 m (56 ft) extension (erected) 4286 kg (9450 lb)

Folding ext. with 20 ft insert

*11 m (33 ft) extension (erected) 4268 kg (9410 lb)

*33,5 m (56 ft) extension (erected) 7262 kg (16,010 lb)

Folding ext. with 40 ft insert

*11 m (33 ft) extension (erected) 7384 kg (16,280 lb)

*33,5 m (56 ft) extension (erected) 11 063 kg (24,390 lb)

*Reduction of main boom capacities
(no deduct required for stowed boom extension)

When lifting over swingaway and/or jib combinations, deduct total weight of all load handling devices reeved over main boom nose directly from swingaway or jib capacity.

Auxiliary boom nose 62 kg (137 lb)

Hook blocks and headache balls:

53,6 t (60 Ust, 5-sheave) 510 kg + (1125 lb +)

44,6 t (50 Ust, 3-sheave) 488 kg + (1075 lb +)

35,7 t (40 Ust, 3-sheave) 356 kg + (785 lb +)

7,4 t (8.3 Ust) Headache ball (non-swivel) 159 kg + (350 lb +)

7,4 t (8.3 Ust) Headache ball (swivel) 169 kg + (370 lb +)

+ Refer to rating plate for actual weight.

NOTE: All load handling devices and boom attachments are considered part of the load and suitable allowances **MUST BE MADE** for their combined weights. Weights are for Grove furnished equipment.

Line pulls and reeving information

| Hoists | Cable/Specs. | Permissible line pulls | Nominal cable length |
|---------------------------|---|------------------------|----------------------|
| Main | 19 mm (3/4 in) 6x37 Class, EIPS, IWRC Special Flexible Min. breaking strength 26 671 kg (58,800 lb) | 7620 kg (16,800 lb) | 152,4 m (500 ft) |
| Main and Auxiliary | 19 mm (.75 in) Class 35x7, Rotation Resistant (non-rotating) Min. breaking strength 38 918 kg (85,800 lb) | 7620 kg (16,800 lb) | 152,4 m (500 ft) |

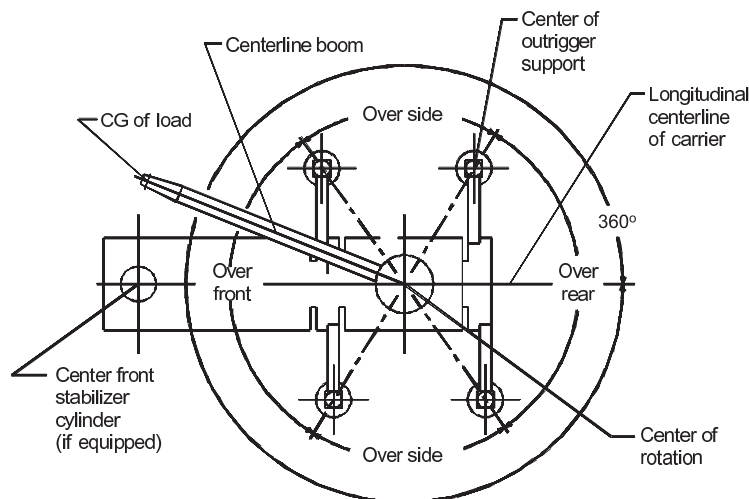
The approximate weight of 19 mm (3/4 in) wire rope is 1.5 lb /ft

Hoist performance

| Wire Rope | Hoist line pulls Two speed hoist | | Drum rope Capacity m (ft) | | |
|-----------|---------------------------------------|--|------------------------------|--------------------|---------------------|
| | Low Available kg (lb) ^a | High Available kg (lb) ^a | Layer | Total | |
| Layer | 1 | 8225 kg (18,134 lb) | 4113 kg (9067 lb) | 30,8 m (101 ft) | 30,8 m (101 ft) |
| | 2 | 7560 kg (16,668 lb) | 3780 kg (8334 lb) | 33,5 m (110 ft) | 64,3 m (211 ft) |
| | 3 | 6994 kg (15,420 kg) | 3497 kg (7710 lb) | 36,6 m (120 ft) | 100,9 m (331 ft) |
| | 4 | 6508 kg (14,347 lb) | 3254 kg (7174 lb) | 39,3 m (129 ft) | 140,2 m (460 ft) |
| | 5 | 6084 kg (13,413 lb) | 3042 kg (6707 lb) | 42,4 m (139 ft) | 182,6 m (599 ft) |
| | 6 | 5713 kg (12,594 lb) | 2856 kg (6297 lb) | 45,4 m (149 ft) | 228,0 m (758 ft) |

^aMaximum lifting capacity: 6x37 or 35x7 class = 7620 kg (16,800 lb)

Working area diagram



6-829-005671

Bold lines determine the limiting position of any load for operation within working areas indicated.

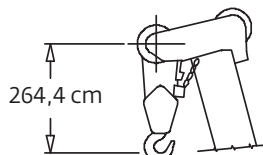
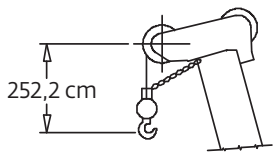
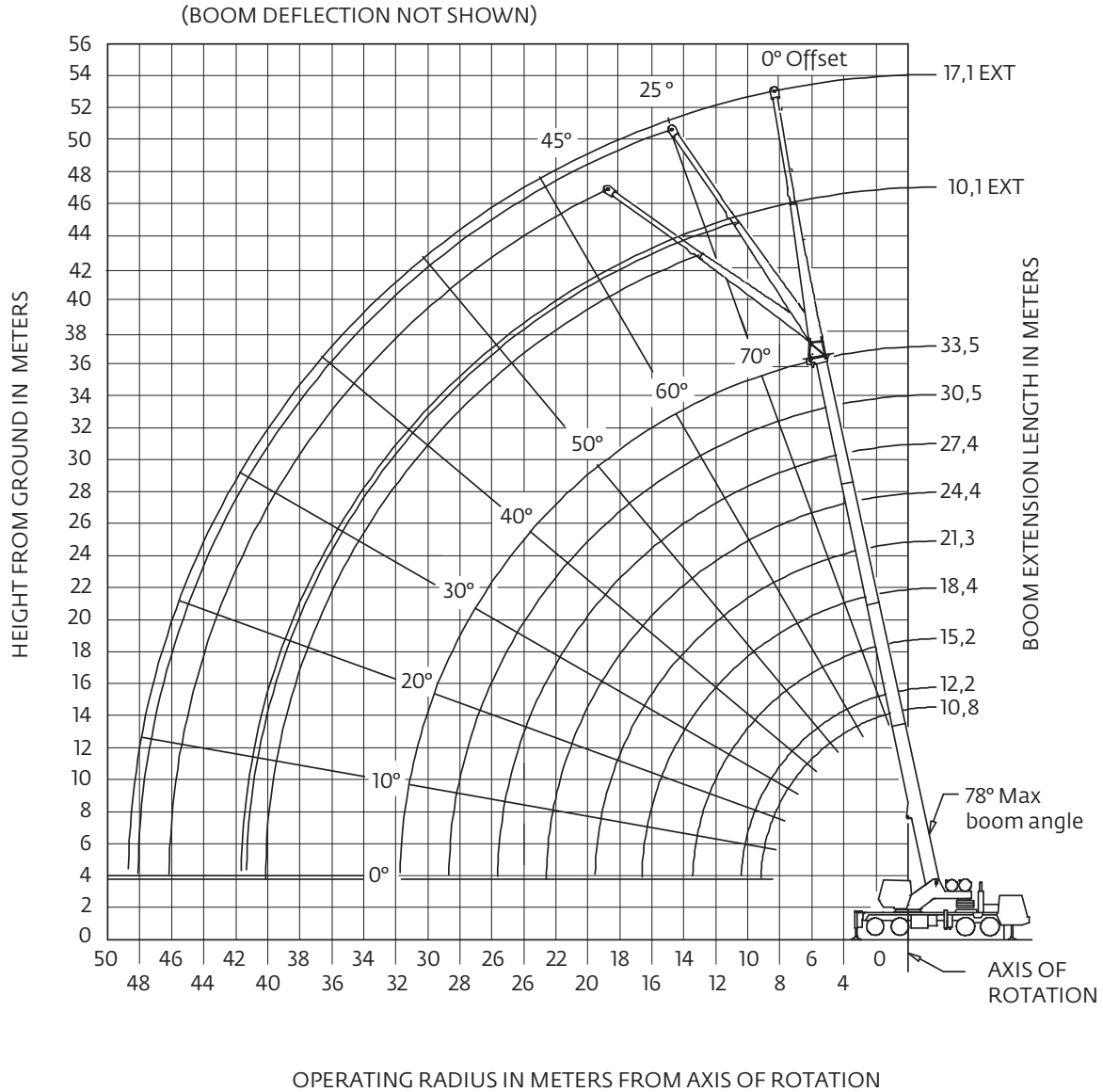
THIS CHART IS ONLY A GUIDE AND SHOULD NOT BE USED TO OPERATE THE CRANE.

The individual crane's load chart, operating instructions and other instructional plates must be read and understood prior to operating the crane.

Working range

Metric 85%

11 m - 33,5 m main boom and 10,1 m - 17,1 m lattice extension



Dimensions are for largest Grove furnished hook block and headball, with anti-two block activated.

THIS CHART IS ONLY A GUIDE AND SHOULD NOT BE USED TO OPERATE THE CRANE.

The individual crane's load chart, operating instructions and other instructional plates must be read and understood prior to operating the crane.

Load chart

Metric 85%






11 m - 33,5 m 7485 kg 100%
6,1 m 360°

| Radius in meters | #0001 | | | | | | | | |
|--|----------------------------|------------------|------------------|------------------|------------------|------------------|------------------|-----------------|-----------------|
| | Main boom length in meters | | | | | | | | |
| | 10,8 | 12,2 | 15,2 | **18,4 | 21,3 | 24,4 | 27,4 | 30,5 | 33,5 |
| 3 | 55 000 (69) | 38 275 (72) | 36 375 (76) | *28 350 (78) | | | | | |
| 3,5 | 47 400 (66,5) | 38 275 (69,5) | 36 375 (74) | 28 350 (77,5) | *16 675 (78) | | | | |
| 4 | 43 200 (63,5) | 37 975 (67) | 36 375 (72) | 28 075 (76) | 16 675 (77,5) | | | | |
| 4,5 | 40 050 (60) | 37 550 (64) | 36 375 (70) | 27 700 (74) | 16 675 (76,5) | *16 675 (78) | | | |
| 5 | 37 150 (57) | 35 250 (61,5) | 34 350 (68) | 26 350 (72,5) | 16 675 (75,5) | 16 675 (77,5) | *14 050 (78) | | |
| 6 | 31 450 (50) | 29 950 (55,5) | 29 600 (64) | 23 250 (69) | 16 675 (72,5) | 16 675 (75) | 14 050 (77) | *13 200 (78) | |
| 7 | 27 475 (42) | 26 200 (49) | 25 675 (59,5) | 20 575 (65,5) | 16 675 (69,5) | 15 925 (72,5) | 13 775 (75) | 12 625 (77) | *10 875 (78) |
| 8 | 22 050 (32) | 22 725 (42) | 22 175 (54,5) | 18 525 (62) | 16 300 (66,5) | 14 850 (70) | 13 075 (73) | 11 925 (75) | 10 650 (77) |
| 9 | 13 725 (16) | 18 375 (33) | 18 075 (49,5) | 17 375 (58,5) | 15 275 (63,5) | 13 350 (67,5) | 11 650 (70,5) | 11 075 (73) | 10 050 (75) |
| 10 | | 13 975 (20,5) | 14 950 (44) | 14 525 (54,5) | 13 875 (60,5) | 12 075 (65) | 10 675 (68,5) | 10 350 (71) | 9465 (73) |
| 12 | | | 10 775 (30) | 10 325 (45,5) | 10 625 (53,5) | 10 125 (59,5) | 9275 (63,5) | 8770 (67) | 8475 (69,5) |
| 14 | See Note 16 | | | 7635 (35) | 7965 (46) | 8280 (53,5) | 7910 (58,5) | 7735 (62,5) | 7735 (65,5) |
| 16 | | | | 5745 (19,5) | 6110 (37,5) | 6450 (47) | 6770 (53,5) | 6825 (58) | 6825 (62) |
| 18 | | | | | 4730 (26) | 5100 (39,5) | 5430 (47,5) | 5625 (53,5) | 5695 (57,5) |
| 20 | | | | | | 4045 (30,5) | 4405 (41) | 4575 (48) | 4715 (53,5) |
| 22 | | | | | | 3215 (16,5) | 3575 (35,5) | 3750 (42,5) | 3845 (48,5) |
| 24 | | | | | | | 2905 (24) | 3060 (36) | 3130 (43,5) |
| 26 | | | | | | | | 2495 (28) | 2605 (38) |
| 28 | | | | | | | | 2015 (16) | 2140 (31) |
| 30 | | | | | | | | | 1725 (22,5) |
| Minimum boom angle (deg.) for indicated length (no load) | | | | | | | | | 0 |
| Maximum boom length (m) at 0 degree boom angle (no load) | | | | | | | | | 33,5 |

NOTE: () Boom angles are in degrees.
#LMI operating code. Refer to LMI manual for instructions.
*This capacity is based on maximum boom angle.

| Lifting capacities at zero degree boom angle | | | | | | | | | |
|--|----------------------------|------------------|----------------|----------------|----------------|----------------|----------------|----------------|----------------|
| Boom angle | Main boom length in meters | | | | | | | | |
| | 10,8 | 12,2 | 15,2 | **18,4 | 21,3 | 24,4 | 27,4 | 30,5 | 33,5 |
| 0° | 13 175 (9,1) | 11 075 (10,4) | 7730 (13,5) | 5265 (16,6) | 3890 (19,6) | 2995 (22,6) | 2440 (25,7) | 1865 (28,7) | 1410 (31,8) |

NOTE: () Reference radii in meters.

A6-829-101600

**18,4 m boom length is with inner-mid extended and outer-mid & fly retracted.

Load chart

Metric 85%



11 m - 33,5 m



7485 kg



100%
6,1 m



Over rear

| Radius in meters | #0001 | | | | | | | | |
|--|----------------------------|------------------|------------------|------------------|------------------|------------------|------------------|-----------------|-----------------|
| | Main boom length in meters | | | | | | | | |
| | 10,8 | 12,2 | 15,2 | **18,4 | 21,3 | 24,4 | 27,4 | 30,5 | 33,5 |
| 3 | 55 000 (69) | 38 275 (72) | 36 375 (76) | **28 350 (78) | | | | | |
| 3,5 | 47 400 (66,5) | 38 275 (69,5) | 36 375 (74) | 28 350 (77,5) | *16 675 (78) | | | | |
| 4 | 43 200 (63,5) | 37 975 (67) | 36 375 (72) | 28 075 (76) | 16 675 (77,5) | | | | |
| 4,5 | 40 050 (60) | 37 550 (64) | 36 375 (70) | 27 700 (74) | 16 675 (76,5) | *16 675 (78) | | | |
| 5 | 37 150 (57) | 35 250 (61,5) | 34 350 (68) | 26 350 (72,5) | 16 675 (75,5) | 16 675 (77,5) | *14 050 (78) | | |
| 6 | 31 450 (50) | 29 950 (55,5) | 29 600 (64) | 23 250 (69) | 16 675 (72,5) | 16 675 (75) | 14 050 (77) | *13 200 (78) | |
| 7 | 27 475 (42) | 26 200 (49) | 25 675 (59,5) | 20 575 (65,5) | 16 675 (69,5) | 15 925 (72,5) | 13 775 (75) | 12 625 (77) | *10 875 (78) |
| 8 | 22 050 (32) | 22 925 (42) | 22 175 (54,5) | 18 525 (62) | 16 300 (66,5) | 14 850 (70) | 13 075 (73) | 11 925 (75) | 10 650 (77) |
| 9 | 13 725 (16) | 20 375 (33) | 18 475 (49,5) | 17 375 (58,5) | 15 275 (63,5) | 13 350 (67,5) | 11 650 (70,5) | 11 075 (73) | 10 050 (75) |
| 10 | | 13 975 (20,5) | 16 125 (44) | 15 125 (54,5) | 13 875 (60,5) | 12 075 (65) | 10 675 (68,5) | 10 350 (71) | 9465 (73) |
| 12 | | | 12 175 (30) | 11 800 (45,5) | 10 975 (53,5) | 10 125 (59,5) | 9275 (63,5) | 8770 (67) | 8475 (69,5) |
| 14 | See Note 16 | | | 8885 (35) | 8690 (46) | 8330 (53,5) | 7910 (58,5) | 7735 (62,5) | 7735 (65,5) |
| 16 | | | | 6630 (19,5) | 7195 (37,5) | 7065 (47) | 6825 (53,5) | 6825 (58) | 6825 (62) |
| 18 | | | | | 6080 (26) | 5965 (39,5) | 5695 (47,5) | 5695 (53,5) | 5695 (57,5) |
| 20 | | | | | | 5115 (30,5) | 4830 (41) | 4715 (48) | 4715 (53,5) |
| 22 | | | | | | 4035 (16,5) | 4055 (35,5) | 3845 (42,5) | 3845 (48,5) |
| 24 | | | | | | | 3370 (24) | 3130 (36) | 3130 (43,5) |
| 26 | | | | | | | | 2605 (28) | 2605 (38) |
| 28 | | | | | | | | 2220 (16) | 2170 (31) |
| 30 | | | | | | | | | 1840 (22,5) |
| Minimum boom angle (deg.) for indicated length (no load) | | | | | | | | | 0 |
| Maximum boom length (m) at 0 degree boom angle (no load) | | | | | | | | | 33,5 |

NOTE: () Boom angles are in degrees.

#LMI operating code. Refer to LMI manual for instructions.

*This capacity is based on maximum boom angle.

| Lifting capacities at zero degree boom angle | | | | | | | | | |
|--|----------------------------|------------------|----------------|----------------|----------------|----------------|----------------|----------------|----------------|
| Boom angle | Main boom length in meters | | | | | | | | |
| | 10,8 | 12,2 | 15,2 | **18,4 | 21,3 | 24,4 | 27,4 | 30,5 | 33,5 |
| 0° | 13 175 (9,1) | 11 075 (10,4) | 7730 (13,5) | 5420 (16,6) | 4370 (19,6) | 3540 (22,6) | 2895 (25,7) | 2160 (28,7) | 1520 (31,8) |

NOTE: () Reference radii in meters.

A6-829-101601

**18,4 m boom length is with inner-mid extended and outer-mid & fly retracted.

Load chart

Metric 85%

 11 m - 33,5 m
  10,1 m - 17 m
  7485 kg
  100% 6,1 m
  360°

| Radius in meters | 10,1 m LENGTH | | | 17,1 m LENGTH | | |
|--------------------------------------|---------------|-------------|-------------|---------------|-------------|-------------|
| | #0021 | #0022 | #0023 | #0041 | #0042 | #0043 |
| | 0° OFFSET | 25° OFFSET | 45° OFFSET | 0° OFFSET | 25° OFFSET | 45° OFFSET |
| 9 | *5850 (78) | | | | | |
| 10 | 5850 (77) | | | *3775 (78) | | |
| 12 | 5850 (74,5) | *4920 (78) | | 3775 (77,5) | | |
| 14 | 5780 (71,5) | 4700 (76,5) | *3360 (78) | 3775 (76) | | |
| 16 | 5260 (69) | 4355 (73,5) | 3215 (76) | 3760 (73,5) | *2400 (78) | |
| 18 | 4665 (66) | 3935 (70,5) | 3100 (73) | 3480 (71,5) | 2345 (77) | |
| 20 | 4100 (63) | 3565 (67,5) | 3005 (70) | 3225 (69) | 2310 (74,5) | *1750 (78) |
| 22 | 3715 (60,5) | 3250 (64,5) | 2920 (67) | 2990 (66,5) | 2250 (72) | 1690 (76,5) |
| 24 | 3345 (57) | 2980 (61) | 2800 (63,5) | 2690 (64) | 2100 (69,5) | 1620 (74) |
| 26 | 2910 (54) | 2740 (57,5) | 2610 (60) | 2425 (61,5) | 2020 (67,5) | 1560 (71) |
| 28 | 2450 (50) | 2540 (54) | 2,435 (56) | 2200 (58,5) | 1920 (64,5) | 1525 (68) |
| 30 | 2060 (46,5) | 2290 (50,5) | 2280 (52) | 2000 (56) | 1770 (61,5) | 1480 (65) |
| 32 | 1720 (42,5) | 1910 (46,5) | 2030 (47,5) | 1830 (53) | 1640 (58,5) | 1460 (62) |
| 34 | 1425 (38,5) | 1580 (42) | | 1635 (50) | 1520 (55,5) | 1425 (58,5) |
| 36 | 1165 (33,5) | 1285 (37) | | 1370 (46,5) | 1410 (52) | 1350 (55) |
| 38 | 940 (28) | 1030 (31) | | 1135 (43) | 1315 (49) | 1270 (51) |
| 40 | 735 (20,5) | | | 920 (38,5) | 1130 (45) | |
| 42 | | | | 735 (34,5) | 905 (40,5) | |
| 44 | | | | 560 (30) | 700 (35) | |
| No load stability data | | | | | | |
| Min. boom angle for indicated length | 20° | 25° | 45° | 28° | 28° | 45° |
| Max. boom length at 0° boom angle | 30,5 m | | | 27,4 m | | |

NOTE: () Boom angles are in degrees.

A6-829-1 01 616

*This capacity is based upon maximum boom angle.

#LMI operating code. Refer to LMI manual for instructions.

NOTES:

- All capacities above the bold line are based on structural strength of boom extension.
- 10,1 m and 17,1 m boom extension lengths may be used for single line lifting service.
- Radii listed are for a fully extended boom with the boom extension erected. For main boom lengths less than fully extended, the rated loads are determined by boom angle. Use only the column which corresponds to the boom extension length and offset for which the machine is configured. For boom angles not shown, use the rating of the next lower boom angle.
- WARNING:** Operation of this machine with heavier loads than the capacities listed is strictly prohibited. Machine tipping with boom extension occurs rapidly and without advance warning.
- Boom angle is the angle above or below horizontal of the longitudinal axis of the boom base section after lifting rated load.
- Capacities listed are with outriggers properly extended and vertical jacks set only.

Load chart

Metric 85%



11 m - 33,5 m



4990 kg



100%
6,1 m



360°

| Radius in meters | #0101 | | | | | | | | |
|--|----------------------------|------------------|------------------|------------------|------------------|------------------|------------------|-----------------|-----------------|
| | Main boom length in meters | | | | | | | | |
| | 10,8 | 12,2 | 15,2 | **18,4 | 21,3 | 24,4 | 27,4 | 30,5 | 33,5 |
| 3 | 55 000 (69) | 38 275 (72) | 36 375 (76) | **28 350 (78) | | | | | |
| 3,5 | 47 400 (66,5) | 38 275 (69,5) | 36 375 (74) | 28 350 (77,5) | *16 675 (78) | | | | |
| 4 | 43 200 (63,5) | 37 975 (67) | 36 375 (72) | 28 075 (76) | 16 675 (77,5) | | | | |
| 4,5 | 40 050 (60) | 37 550 (64) | 36 375 (70) | 27 700 (74) | 16 675 (76,5) | *16 675 (78) | | | |
| 5 | 37 150 (57) | 35 250 (61,5) | 34 350 (68) | 26 350 (72,5) | 16 675 (75,5) | 16 675 (77,5) | *14 050 (78) | | |
| 6 | 31 450 (50) | 29 950 (55,5) | 29 600 (64) | 23 250 (69) | 16 675 (72,5) | 16 675 (75) | 14 050 (77) | *13 200 (78) | |
| 7 | 26 025 (42) | 25 875 (49) | 25 575 (59,5) | 20 575 (65,5) | 16 675 (69,5) | 15 925 (72,5) | 13 775 (75) | 12 625 (77) | *10 875 (78) |
| 8 | 20 050 (32) | 20 000 (42) | 19 650 (54,5) | 18 525 (62) | 16 300 (66,5) | 14 850 (70) | 13 075 (73) | 11 925 (75) | 10 650 (77) |
| 9 | 13 650 (16) | 16 025 (33) | 15 725 (49,5) | 15 325 (58,5) | 15 275 (63,5) | 13 350 (67,5) | 11 650 (70,5) | 11 075 (73) | 10 050 (75) |
| 10 | | 13 175 (20,5) | 12 925 (44) | 12 525 (54,5) | 12 800 (60,5) | 12 075 (65) | 10 675 (68,5) | 10 350 (71) | 9465 (73) |
| 12 | | | 9140 (30) | 8770 (45,5) | 9065 (53,5) | 9375 (59,5) | 9275 (63,5) | 8770 (67) | 8475 (69,5) |
| 14 | See Note 16 | | | 6360 (35) | 6690 (46) | 7005 (53,5) | 7320 (58,5) | 7600 (62,5) | 7735 (65,5) |
| 16 | | | | 4670 (19,5) | 5035 (37,5) | 5370 (47) | 5690 (53,5) | 5920 (58) | 6155 (62) |
| 18 | | | | | 3795 (26) | 4165 (39,5) | 4495 (47,5) | 4690 (53,5) | 4890 (57,5) |
| 20 | | | | | | 3220 (30,5) | 3580 (41) | 3750 (48) | 3920 (53,5) |
| 22 | | | | | | 2480 (16,5) | 2840 (35,5) | 3010 (42,5) | 3160 (48,5) |
| 24 | | | | | | | 2240 (24) | 2395 (36) | 2540 (43,5) |
| 26 | | | | | | | | 1885 (28) | 2025 (38) |
| 28 | | | | | | | | 1455 (16) | 1580 (31) |
| 30 | | | | | | | | | 1205 (22,5) |
| Minimum boom angle (deg.) for indicated length (no load) | | | | | | | | | 0 |
| Maximum boom length (m) at 0 degree boom angle (no load) | | | | | | | | | 33,5 |

NOTE: () Boom angles are in degrees.

#LMI operating code. Refer to LMI manual for instructions.

*This capacity is based on maximum boom angle.

| Lifting capacities at zero degree boom angle | | | | | | | | | |
|--|----------------------------|------------------|----------------|----------------|----------------|----------------|----------------|----------------|---------------|
| Boom angle | Main boom length in meters | | | | | | | | |
| | 10,8 | 12,2 | 15,2 | **18,4 | 21,3 | 24,4 | 27,4 | 30,5 | 33,5 |
| 0° | 13 175 (9,1) | 11 075 (10,4) | 7270 (13,5) | 4240 (16,6) | 3040 (19,6) | 2285 (22,6) | 1825 (25,7) | 1325 (28,7) | 920 (31,8) |

NOTE: () Reference radii in meters.

A6-829-101602

**18,4 m boom length is with inner-mid extended and outer-mid & fly retracted.

Load chart

Metric 85%



11 m - 33,5 m

4990 kg

100%
6,1 m

Over rear

| Radius in meters | #0101 | | | | | | | | |
|--|----------------------------|------------------|------------------|------------------|------------------|------------------|------------------|-----------------|-----------------|
| | Main boom length in meters | | | | | | | | |
| | 10,8 | 12,2 | 15,2 | **18,4 | 21,3 | 24,4 | 27,4 | 30,5 | 33,5 |
| 3 | 55 000 (69) | 38 275 (72) | 36 375 (76) | **28 350 (78) | | | | | |
| 3,5 | 47 400 (66,5) | 38 275 (69,5) | 36 375 (74) | 28 350 (77,5) | *16 675 (78) | | | | |
| 4 | 43 200 (63,5) | 37 975 (67) | 36 375 (72) | 28 075 (76) | 16 675 (77,5) | | | | |
| 4,5 | 40 050 (60) | 37 550 (64) | 36 375 (70) | 27 700 (74) | 16 675 (76,5) | *16 675 (78) | | | |
| 5 | 37 150 (57) | 35 250 (61,5) | 34 350 (68) | 26 350 (72,5) | 16 675 (75,5) | 16 675 (77,5) | *14 050 (78) | | |
| 6 | 31 450 (50) | 29 950 (55,5) | 29 600 (64) | 23 250 (69) | 16 675 (72,5) | 16 675 (75) | 14 050 (77) | *13 200 (78) | |
| 7 | 26 825 (42) | 26 025 (49) | 25 675 (59,5) | 20 575 (65,5) | 16 675 (69,5) | 15 925 (72,5) | 13 775 (75) | 12 625 (77) | *10 875 (78) |
| 8 | 21 150 (32) | 22 675 (42) | 22 175 (54,5) | 18 525 (62) | 16 300 (66,5) | 14 850 (70) | 13 075 (73) | 11 925 (75) | 10 650 (77) |
| 9 | 13 650 (16) | 19 400 (33) | 18 475 (49,5) | 17 375 (58,5) | 15 275 (63,5) | 13 350 (67,5) | 11 650 (70,5) | 11 075 (73) | 10 050 (75) |
| 10 | | 13 650 (20,5) | 16 125 (44) | 15 125 (54,5) | 13 875 (60,5) | 12 075 (65) | 10 675 (68,5) | 10 350 (71) | 9 465 (73) |
| 12 | | | 12 175 (30) | 11 800 (45,5) | 10 975 (53,5) | 10 125 (59,5) | 9 275 (63,5) | 8 770 (67) | 8 475 (69,5) |
| 14 | See Note 16 | | | 8 885 (35) | 8 690 (46) | 8 330 (53,5) | 7 910 (58,5) | 7 735 (62,5) | 7 735 (65,5) |
| 16 | | | | 6 630 (19,5) | 7 195 (37,5) | 7 065 (47) | 6 825 (53,5) | 6 825 (58) | 6 825 (62) |
| 18 | | | | | 5 685 (26) | 5 965 (39,5) | 5 695 (47,5) | 5 695 (53,5) | 5 695 (57,5) |
| 20 | | | | | | 4 870 (30,5) | 4 830 (41) | 4 715 (48) | 4 715 (53,5) |
| 22 | | | | | | 3 925 (16,5) | 4 055 (35,5) | 3 845 (42,5) | 3 845 (48,5) |
| 24 | | | | | | | 3 370 (24) | 3 130 (36) | 3 130 (43,5) |
| 26 | | | | | | | | 2 605 (28) | 2 605 (38) |
| 28 | | | | | | | | 2 220 (16) | 2 170 (31) |
| 30 | | | | | | | | | 1 840 (22,5) |
| Minimum boom angle (deg.) for indicated length (no load) | | | | | | | | | 0 |
| Maximum boom length (m) at 0 degree boom angle (no load) | | | | | | | | | 33,5 |

NOTE: () Boom angles are in degrees.

#LMI operating code. Refer to LMI manual for instructions.

*This capacity is based on maximum boom angle.

| Boom angle | Lifting capacities at zero degree boom angle | | | | | | | | |
|------------|--|------------------|-----------------|-----------------|-----------------|-----------------|-----------------|-----------------|-----------------|
| | Main boom length in meters | | | | | | | | |
| | 10,8 | 12,2 | 15,2 | **18,4 | 21,3 | 24,4 | 27,4 | 30,5 | 33,5 |
| 0° | 13 175 (9,1) | 11 075 (10,4) | 7 730 (13,5) | 5 420 (16,6) | 4 370 (19,6) | 3 540 (22,6) | 2 895 (25,7) | 2 160 (28,7) | 1 520 (31,8) |


NOTE: () Reference radii in meters.

A6-829-101603

**18,4 m boom length is with inner-mid extended and outer-mid & fly retracted.

Load chart

Metric 85%

 11 m - 33,5 m
  10,1 m - 17 m
  4990 kg
  100% 6,1 m
  360°

| Radius in meters | 10,1 m LENGTH | | | 17,1 m LENGTH | | |
|--------------------------------------|---------------|-------------|-------------|---------------|-------------|-------------|
| | #0121 | #0122 | #0123 | #0141 | #0142 | #0143 |
| | 0° OFFSET | 25° OFFSET | 45° OFFSET | 0° OFFSET | 25° OFFSET | 45° OFFSET |
| 9 | *5850 (78) | | | | | |
| 10 | 5850 (77) | | | *3775 (78) | | |
| 12 | 5850 (74,5) | *4920 (78) | | 3775 (77,5) | | |
| 14 | 5780 (71,5) | 4700 (76,5) | *3360 (78) | 3775 (76) | | |
| 16 | 5260 (69) | 4355 (73,5) | 3215 (76) | 3760 (73,5) | *2400 (78) | |
| 18 | 4665 (66) | 3935 (70,5) | 3100 (73) | 3480 (71,5) | 2345 (77) | |
| 20 | 4100 (63) | 3565 (67,5) | 3005 (70) | 3225 (69) | 2310 (74,5) | *1750 (78) |
| 22 | 3385 (60,5) | 3250 (64,5) | 2920 (67) | 2990 (66,5) | 2250 (72) | 1690 (76,5) |
| 24 | 2790 (57) | 2980 (61) | 2800 (63,5) | 2690 (64) | 2100 (69,5) | 1620 (74) |
| 26 | 2300 (54) | 2645 (57,5) | 2610 (60) | 2425 (61,5) | 2020 (67,5) | 1560 (71) |
| 28 | 1890 (50) | 2175 (54) | 2335 (56) | 2135 (58,5) | 1920 (64,5) | 1525 (68) |
| 30 | 1540 (46,5) | 1770 (50,5) | 1910 (52) | 1770 (56) | 1770 (61,5) | 1480 (65) |
| 32 | 1235 (42,5) | 1425 (46,5) | 1545 (47,5) | 1460 (53) | 1640 (58,5) | 1460 (62) |
| 34 | 975 (38,5) | 1125 (42) | | 1185 (50) | 1520 (55,5) | 1425 (58,5) |
| 36 | 745 (33,5) | 860 (37) | | 945 (46,5) | 1235 (52) | 1350 (55) |
| 38 | 540 (28) | 630 (31) | | 735 (43) | 980 (49) | 1070 (51) |
| 40 | | | | 545 (38,5) | 750 (45) | |
| 42 | | | | | 545 (40,5) | |
| No load stability data | | | | | | |
| Min. boom angle for indicated length | 25° | 25° | 45° | 33° | 36° | 45° |
| Max. boom length at 0° boom angle | 27,4 m | | | 24,4 m | | |

NOTE: () Boom angles are in degrees.

A6-829-1 01 617

*This capacity is based upon maximum boom angle.

#LMI operating code. Refer to LMI manual for instructions.

NOTES:

1. All capacities above the bold line are based on structural strength of boom extension.
2. 10,1 m and 17,1 m boom extension lengths may be used for single line lifting service.
3. Radii listed are for a fully extended boom with the boom extension erected. For main boom lengths less than fully extended, the rated loads are determined by boom angle. Use only the column which corresponds to the boom extension length and offset for which the machine is configured. For boom angles not shown, use the rating of the next lower boom angle.
4. **WARNING:** Operation of this machine with heavier loads than the capacities listed is strictly prohibited. Machine tipping with boom extension occurs rapidly and without advance warning.
5. Boom angle is the angle above or below horizontal of the longitudinal axis of the boom base section after lifting rated load.
6. Capacities listed are with outriggers properly extended and vertical jacks set only.

Load chart

Metric 85%






11 m - 33,5 m 2495 kg 100%
6,1 m 360°

| Radius in meters | #0201 | | | | | | | | |
|--|----------------------------|------------------|------------------|------------------|------------------|------------------|------------------|-----------------|-----------------|
| | Main boom length in meters | | | | | | | | |
| | 10,8 | 12,2 | 15,2 | **18,4 | 21,3 | 24,4 | 27,4 | 30,5 | 33,5 |
| 3 | 54 500 (69) | 38 275 (72) | 36 375 (76) | **28 350 (78) | | | | | |
| 3,5 | 47 400 (66,5) | 38 275 (69,5) | 36 375 (74) | 28 350 (77,5) | *16 675 (78) | | | | |
| 4 | 43 200 (63,5) | 37 975 (67) | 36 375 (72) | 28 075 (77,5) | 16 675 (77,5) | | | | |
| 4,5 | 40 050 (60) | 37 550 (64) | 36 375 (70) | 27 700 (74) | 16 675 (76,5) | *16 675 (78) | | | |
| 5 | 36 500 (57) | 35 250 (61,5) | 34 350 (68) | 26 350 (72,5) | 16 675 (75,5) | 16 675 (77,5) | *14 050 (78) | | |
| 6 | 30 400 (50) | 29 950 (55,5) | 29 600 (64) | 23 250 (69) | 16 675 (72,5) | 16 675 (75) | 14 050 (77) | *13 200 (78) | |
| 7 | 22 225 (42) | 22 150 (49) | 21 950 (59,5) | 20 575 (65,5) | 16 675 (69,5) | 15 925 (72,5) | 13 775 (75) | 12 625 (77) | *10 875 (78) |
| 8 | 16 875 (32) | 16 875 (42) | 16 675 (54,5) | 16 475 (62) | 16 300 (66,5) | 14 850 (70) | 13 075 (73) | 11 925 (75) | 10 650 (77) |
| 9 | 13 275 (16) | 13 300 (33) | 13 175 (49,5) | 13 000 (58,5) | 13 300 (63,5) | 13 350 (67,5) | 11 650 (70,5) | 11 075 (73) | 10 050 (75) |
| 10 | | 10 750 (20,5) | 10 700 (44) | 10 500 (54,5) | 10 825 (60,5) | 11 150 (65) | 10 675 (68,5) | 10 350 (71) | 9465 (73) |
| 12 | See Note 16 | | 7335 (30) | 7210 (45,5) | 7525 (53,5) | 7855 (59,5) | 8180 (63,5) | 8370 (67) | 8475 (69,5) |
| 14 | | | | 5085 (35) | 5425 (46) | 5750 (53,5) | 6075 (58,5) | 6250 (62,5) | 6430 (65,5) |
| 16 | | | | 3590 (19,5) | 3960 (37,5) | 4295 (47) | 4620 (53,5) | 4790 (58) | 4955 (62) |
| 18 | | | | | 2860 (26) | 3225 (39,5) | 3555 (47,5) | 3715 (53,5) | 3875 (57,5) |
| 20 | | | | | | 2385 (30,5) | 2740 (41) | 2895 (48) | 3055 (53,5) |
| 22 | | | | | | 1725 (16,5) | 2075 (35,5) | 2250 (42,5) | 2405 (48,5) |
| 24 | | | | | | | 1535 (24) | 1710 (36) | 1875 (43,5) |
| 26 | | | | | | | | 1265 (28) | 1435 (38) |
| 28 | | | | | | | | 890 (16) | 1055 (31) |
| 30 | | | | | | | | | 735 (22,5) |
| Minimum boom angle (deg.) for indicated length (no load) | | | | | | | | | 0 |
| Maximum boom length (m) at 0 degree boom angle (no load) | | | | | | | | | 33,5 |

NOTE: () Boom angles are in degrees.
 #LMI operating code. Refer to LMI manual for instructions.
 *This capacity is based on maximum boom angle.

| Lifting capacities at zero degree boom angle | | | | | | | | | | |
|--|----------------------------|----------------|----------------|----------------|----------------|----------------|----------------|---------------|--|--|
| Boom angle | Main boom length in meters | | | | | | | | | |
| | 10,8 | 12,2 | 15,2 | **18,4 | 21,3 | 24,4 | 27,4 | 30,5 | | |
| 0° | 13 075 (9,1) | 9905 (10,4) | 5675 (13,5) | 3210 (16,6) | 2190 (19,6) | 1550 (22,6) | 1165 (25,7) | 775 (28,7) | | |

NOTE: () Reference radii in meters. A6-829-101604

**18,4 m boom length is with inner-mid extended and outer-mid & fly retracted.

Load chart

Metric 85%



11 m - 33,5 m



2495 kg



100%
6,1 m



Over rear

| Radius in meters | #0201 | | | | | | | | |
|--|----------------------------|------------------|------------------|------------------|------------------|------------------|------------------|-----------------|-----------------|
| | Main boom length in meters | | | | | | | | |
| | 10,8 | 12,2 | 15,2 | **18,4 | 21,3 | 24,4 | 27,4 | 30,5 | 33,5 |
| 3 | 55 000 (69) | 38 275 (72) | 36 375 (76) | **28 350 (78) | | | | | |
| 3,5 | 47 400 (66,5) | 38 275 (69,5) | 36 375 (74) | 28 350 (77,5) | *16 675 (78) | | | | |
| 4 | 43 200 (63,5) | 37 975 (67) | 36 375 (72) | 28 075 (76) | 16 675 (77,5) | | | | |
| 4,5 | 40 050 (60) | 37 550 (64) | 36 375 (70) | 27 700 (74) | 16 675 (76,5) | *16 675 (78) | | | |
| 5 | 36 500 (57) | 35 250 (61,5) | 34 350 (68) | 26 350 (72,5) | 16 675 (75,5) | 16 675 (77,5) | *14 050 (78) | | |
| 6 | 30 400 (50) | 29 950 (55,5) | 29 600 (64) | 23 250 (69) | 16 675 (72,5) | 16 675 (75) | 14 050 (77) | *13 200 (78) | |
| 7 | 25 650 (42) | 25 400 (49) | 25 175 (59,5) | 20 575 (65,5) | 16 675 (69,5) | 15 925 (72,5) | 13 775 (75) | 12 625 (77) | *10 875 (78) |
| 8 | 20 200 (32) | 21 425 (42) | 21 275 (54,5) | 18 525 (62) | 16 300 (66,5) | 14 850 (70) | 13 075 (73) | 11 925 (75) | 10 650 (77) |
| 9 | 13 600 (16) | 17 800 (33) | 17 850 (49,5) | 17 375 (58,5) | 15 275 (63,5) | 13 350 (67,5) | 11 650 (70,5) | 11 075 (73) | 10 050 (75) |
| 10 | | 13 300 (20,5) | 14 675 (44) | 14 650 (54,5) | 13 875 (60,5) | 12 075 (65) | 10 675 (68,5) | 10 350 (71) | 9465 (73) |
| 12 | | | 10 375 (30) | 10 375 (45,5) | 10 750 (53,5) | 10 125 (59,5) | 9275 (63,5) | 8770 (67) | 8475 (69,5) |
| 14 | See Note 16 | | | 7660 (35) | 8035 (46) | 8330 (53,5) | 7910 (58,5) | 7735 (62,5) | 7735 (65,5) |
| 16 | | | | 5750 (19,5) | 6145 (37,5) | 6510 (47) | 6825 (53,5) | 6825 (58) | 6825 (62) |
| 18 | | | | | 4740 (26) | 5120 (39,5) | 5460 (47,5) | 5625 (53,5) | 5695 (57,5) |
| 20 | | | | | | 4035 (30,5) | 4395 (41) | 4550 (48) | 4705 (53,5) |
| 22 | | | | | | 3180 (16,5) | 3535 (35,5) | 3705 (42,5) | 3845 (48,5) |
| 24 | | | | | | | 2840 (24) | 3010 (36) | 3130 (43,5) |
| 26 | | | | | | | | 2430 (28) | 2590 (38) |
| 28 | | | | | | | | 1945 (16) | 2105 (31) |
| 30 | | | | | | | | | 1685 (22,5) |
| Minimum boom angle (deg.) for indicated length (no load) | | | | | | | | | |
| Maximum boom length (m) at 0 degree boom angle (no load) | | | | | | | | | |
| | | | | | | | | | 33,5 |

NOTE: () Boom angles are in degrees.

#LMI operating code. Refer to LMI manual for instructions.

*This capacity is based on maximum boom angle.

| Boom angle | Lifting capacities at zero degree boom angle | | | | | | | | |
|------------|--|------------------|----------------|----------------|----------------|----------------|----------------|----------------|----------------|
| | Main boom length in meters | | | | | | | | |
| | 10,8 | 12,2 | 15,2 | **18,4 | 21,3 | 24,4 | 27,4 | 30,5 | 33,5 |
| 0° | 13 175 (9,1) | 11 075 (10,4) | 7730 (13,5) | 5270 (16,6) | 3880 (19,6) | 2955 (22,6) | 2355 (25,7) | 1790 (28,7) | 1370 (31,8) |






NOTE: () Reference radii in meters.

A6-829-101605

**18,4 m boom length is with inner-mid extended and outer-mid & fly retracted.

Load chart

Metric 85%

 11 m - 33,5 m
  10,1 m - 17 m
  2495 kg
  100%
6,1 m
  360°

| Radius in meters | 10,1 m LENGTH | | | 17,1 m LENGTH | | |
|--------------------------------------|---------------|-------------|-------------|---------------|-------------|-------------|
| | #0221 | #0222 | #0223 | #0241 | #0242 | #0243 |
| | 0° OFFSET | 25° OFFSET | 45° OFFSET | 0° OFFSET | 25° OFFSET | 45° OFFSET |
| 9 | *5850 (78) | | | | | |
| 10 | 5850 (77) | | | *3775 (78) | | |
| 12 | 5850 (74,5) | *4920 (78) | | 3775 (77,5) | | |
| 14 | 5780 (71,5) | 4700 (76,5) | *3360 (78) | 3775 (76) | | |
| 16 | 5190 (69) | 4355 (73,5) | 3215 (76) | 3760 (73,5) | *2400 (78) | |
| 18 | 4115 (66) | 3935 (70,5) | 3100 (73) | 3480 (71,5) | 2345 (77) | |
| 20 | 3295 (63) | 3565 (67,5) | 3005 (70) | 3225 (69) | 2310 (74,5) | *1750 (78) |
| 22 | 2650 (60,5) | 3070 (64,5) | 2920 (67) | 2990 (66,5) | 2250 (72) | 1690 (76,5) |
| 24 | 2125 (57) | 2480 (61) | 2760 (63,5) | 2435 (64) | 2100 (69,5) | 1620 (74) |
| 26 | 1695 (54) | 2000 (57,5) | 2225 (60) | 1975 (61,5) | 2020 (67,5) | 1560 (71) |
| 28 | 1330 (50) | 1590 (54) | 1775 (56) | 1590 (58,5) | 1920 (64,5) | 1525 (68) |
| 30 | 1020 (46,5) | 1245 (50,5) | 1395 (52) | 1260 (56) | 1715 (61,5) | 1480 (65) |
| 32 | 755 (42,5) | 945 (46,5) | 1065 (47,5) | 980 (53) | 1375 (58,5) | 1460 (62) |
| 34 | 525 (38,5) | 685 (42) | | 735 (50) | 1075 (55,5) | 1230 (58,5) |
| 36 | | | | 515 (46,5) | 810 (52) | 935 (55) |
| 38 | | | | | 580 (49) | 670 (51) |
| No load stability data | | | | | | |
| Min. boom angle for indicated length | 37° | 37° | 45° | 45° | 46° | 48° |
| Max. boom length at 0° boom angle | 24,4 m | | | 18,4 m | | |

NOTE: () Boom angles are in degrees.

A6-829-1 01 618

*This capacity is based upon maximum boom angle.

#LMI operating code. Refer to LMI manual for instructions.

NOTES:

- All capacities above the bold line are based on structural strength of boom extension.
- 10,1 m and 17,1 m boom extension lengths may be used for single line lifting service.
- Radii listed are for a fully extended boom with the boom extension erected. For main boom lengths less than fully extended, the rated loads are determined by boom angle. Use only the column which corresponds to the boom extension length and offset for which the machine is configured. For boom angles not shown, use the rating of the next lower boom angle.
- WARNING:** Operation of this machine with heavier loads than the capacities listed is strictly prohibited. Machine tipping with boom extension occurs rapidly and without advance warning.
- Boom angle is the angle above or below horizontal of the longitudinal axis of the boom base section after lifting rated load.
- Capacities listed are with outriggers properly extended and vertical jacks set only.

Load chart

Metric 85%

 11 m - 33,5 m
  0 kg
  100% 6,1 m
  360°

| Radius in meters | #0801 | | | | | | | | |
|--|----------------------------|------------------|------------------|-----------------------------|-----------------------------|-----------------------------|-----------------------------|-----------------------------|-----------------------------|
| | Main boom length in meters | | | | | | | | |
| | 10,8 | 12,2 | 15,2 | ^o 18,4 | 21,3 | 24,4 | 27,4 | 30,5 | 33,5 |
| 3 | 54 000 (69) | 38 275 (72) | 36 375 (76) | ^o 28 350 (78) | | | | | |
| 3,5 | 47 400 (66,5) | 38 275 (69,5) | 36 375 (74) | 28 350 (74) | ^o 16 675 (78) | | | | |
| 4 | 43 200 (63,5) | 37 975 (67) | 36 375 (72) | 28 075 (76) | 16 675 (77,5) | | | | |
| 4,5 | 40 050 (60) | 37 550 (64) | 36 375 (70) | 27 700 (74) | 16 675 (76,5) | ^o 16 675 (78) | | | |
| 5 | 36 200 (57) | 34 400 (61,5) | 34 025 (68) | 26 350 (72,5) | 16 675 (75,5) | 16 675 (77,5) | ^o 14 050 (78) | | |
| 6 | 26 350 (50) | 26 250 (55,5) | 26 025 (64) | 23 250 (69) | 16 675 (72,5) | 16 675 (75) | 14 050 (77) | ^o 13 200 (78) | |
| 7 | 18 700 (42) | 18 600 (49) | 18 400 (59,5) | 18 200 (65,5) | 16 675 (69,5) | 15 925 (72,5) | 13 775 (75) | 12 625 (77) | ^o 10 875 (78) |
| 8 | 14 050 (32) | 14 050 (42) | 13 850 (54,5) | 13 650 (62) | 13 975 (66,5) | 14 325 (70) | 13 075 (73) | 11 925 (75) | 10 650 (77) |
| 9 | 10 925 (16) | 10 975 (33) | 10 850 (49,5) | 10 650 (58,5) | 10 975 (63,5) | 11 300 (67,5) | 11 625 (70,5) | 11 075 (73) | 10 050 (75) |
| 10 | | 8755 (20,5) | 8700 (44) | 8505 (54,5) | 8825 (60,5) | 9155 (65) | 9490 (68,5) | 9695 (71) | 9465 (73) |
| 12 | See Note 16 | | 5775 (30) | 5650 (45,5) | 5965 (53,5) | 6290 (59,5) | 6620 (63,5) | 6810 (67) | 6995 (69,5) |
| 14 | | | | 3810 (35) | 4150 (46) | 4475 (53,5) | 4800 (58,5) | 4975 (62,5) | 5150 (65,5) |
| 16 | | | | 2510 (19,5) | 2880 (37,5) | 3220 (47) | 3540 (53,5) | 3710 (58) | 3875 (62) |
| 18 | | | | | 1925 (26) | 2290 (39,5) | 2620 (47,5) | 2780 (53,5) | 2945 (57,5) |
| 20 | | | | | | 1560 (30,5) | 1915 (41) | 2070 (48) | 2230 (53,5) |
| 22 | | | | | | 985 (16,5) | 1335 (35,5) | 1515 (42,5) | 1665 (48,5) |
| 24 | | | | | | | 870 (24) | 1045 (36) | 1210 (43,5) |
| 26 | | | | | | | | 655 (28) | 825 (38) |
| Minimum boom angle (deg.) for indicated length (no load) | | | | | | | 0 | 14 | 26 |
| Maximum boom length (m) at 0 degree boom angle (no load) | | | | | | | 27,4 | | |

NOTE: () Boom angles are in degrees.

#LMI operating code. Refer to LMI manual for instructions.

^oThis capacity is based on maximum boom angle.

| Lifting capacities at zero degree boom angle | | | | | | | | | |
|--|----------------------------|----------------|----------------|-------------------|----------------|---------------|---------------|--|--|
| Boom angle | Main Boom length in meters | | | | | | | | |
| | 10,8 | 12,2 | 15,2 | ^o 18,4 | 21,3 | 24,4 | 27,4 | | |
| 0° | 10 750 (9,1) | 8010 (10,4) | 4330 (13,5) | 2180 (16,6) | 1345 (19,6) | 835 (22,6) | 545 (25,7) | | |

NOTE: () Reference radii in meters.

A6-829-101606

^o18,4 m boom length is with inner-mid extended and outer-mid & fly retracted.

Load chart

Metric 85%






11 m - 33,5 m 0 kg 100%
6,1 m Over rear

| Radius in meters | #0801 | | | | | | | | |
|--|----------------------------|------------------|------------------|------------------|------------------|------------------|------------------|-----------------|-----------------|
| | Main boom length in meters | | | | | | | | |
| | 10,8 | 12,2 | 15,2 | **18,4 | 21,3 | 24,4 | 27,4 | 30,5 | 33,5 |
| 3 | 55 000 (69) | 38 275 (72) | 36 375 (76) | **28 350 (78) | | | | | |
| 3,5 | 47 400 (66,5) | 38 275 (69,5) | 36 375 (74) | 28 350 (77,5) | *16 675 (78) | | | | |
| 4 | 43 200 (63,5) | 37 975 (67) | 36 375 (72) | 28 075 (76) | 16 675 (77,5) | | | | |
| 4,5 | 40 050 (60) | 37 550 (64) | 36 375 (70) | 27 700 (74) | 16 675 (76,5) | *16 675 (78) | | | |
| 5 | 36 200 (57) | 34 400 (61,5) | 34 025 (68) | 26 350 (72,5) | 16 675 (75,5) | 16 675 (77,5) | *14 050 (78) | | |
| 6 | 29 025 (50) | 28 650 (55,5) | 28 475 (64) | 23 250 (69) | 16 675 (72,5) | 16 675 (75) | 14 050 (77) | *13 200 (78) | |
| 7 | 24 225 (42) | 24 125 (49) | 23 950 (59,5) | 20 575 (65,5) | 16 675 (69,5) | 15 925 (72,5) | 13 775 (75) | 12 625 (77) | *10 875 (78) |
| 8 | 19 250 (32) | 19 450 (42) | 19 475 (54,5) | 18 350 (62) | 16 300 (66,5) | 14 850 (70) | 13 075 (73) | 11 925 (75) | 10 650 (77) |
| 9 | 13 550 (16) | 15 425 (33) | 15 475 (49,5) | 15 475 (58,5) | 15 275 (63,5) | 13 350 (67,5) | 11 650 (70,5) | 11 075 (73) | 10 050 (75) |
| 10 | | 12 550 (20,5) | 12 625 (44) | 12 600 (54,5) | 13 000 (60,5) | 12 075 (65) | 10 675 (68,5) | 10 350 (71) | 9465 (73) |
| 12 | | | 8815 (30) | 8800 (45,5) | 9175 (53,5) | 9565 (59,5) | 9275 (63,5) | 8770 (67) | 8475 (69,5) |
| 14 | See Note 16 | | | 6370 (35) | 6745 (46) | 7110 (53,5) | 7475 (58,5) | 7660 (62,5) | 7735 (65,5) |
| 16 | | | | 4660 (19,5) | 5055 (37,5) | 5415 (47) | 5765 (53,5) | 5935 (58) | 6110 (62) |
| 18 | | | | | 3795 (26) | 4175 (39,5) | 4515 (47,5) | 4680 (53,5) | 4840 (57,5) |
| 20 | | | | | | 3205 (30,5) | 3565 (41) | 3720 (48) | 3875 (53,5) |
| 22 | | | | | | 2435 (16,5) | 2790 (35,5) | 2960 (42,5) | 3110 (48,5) |
| 24 | | | | | | | 2165 (24) | 2335 (36) | 2495 (43,5) |
| 26 | | | | | | | | 1815 (28) | 1980 (38) |
| 28 | | | | | | | | 1380 (16) | 1540 (31) |
| 30 | | | | | | | | | 1165 (22,5) |
| Minimum boom angle (deg.) for indicated length (no load) | | | | | | | | | 0 |
| Maximum boom length (m) at 0 degree boom angle (no load) | | | | | | | | | 33.5 |

NOTE: () Boom angles are in degrees.
 #LMI operating code. Refer to LMI manual for instructions.
 *This capacity is based on maximum boom angle.

| Boom angle | Lifting capacities at zero degree boom angle | | | | | | | | |
|------------|--|------------------|----------------|----------------|----------------|----------------|----------------|----------------|---------------|
| | Main boom length in meters | | | | | | | | |
| | 10,8 | 12,2 | 15,2 | **18,4 | 21,3 | 24,4 | 27,4 | 30,5 | 33,5 |
| 0° | 13 175 (9,1) | 11 075 (10,4) | 6930 (13,5) | 4225 (16,6) | 3025 (19,6) | 2235 (22,6) | 1730 (25,7) | 1240 (28,7) | 880 (31,8) |

NOTE: () Reference radii in meters. A6-829-101607
 **18,4 m boom length is with inner-mid extended and outer-mid & fly retracted.

Load chart

Metric 85%



11 m - 33,5 m



10,1 m - 17 m



0 kg



100%
6,1 m



360°

| Radius in meters | 10,1 m LENGTH | | | 17,1 m LENGTH | | |
|--------------------------------------|---------------|-------------|-------------|---------------|-------------|-------------|
| | #0821 | #0822 | #0823 | #0841 | #0842 | #0843 |
| | 0° OFFSET | 25° OFFSET | 45° OFFSET | 0° OFFSET | 25° OFFSET | 45° OFFSET |
| 9 | *5850 (78) | | | | | |
| 10 | 5850 (77) | | | *3775 (78) | | |
| 12 | 5850 (74,5) | *4920 (78) | | 3775 (77,5) | | |
| 14 | 5585 (71,5) | 4700 (76,5) | *3360 (78) | 3775 (76) | | |
| 16 | 4265 (69) | 4355 (73,5) | 3215 (76) | 3760 (73,5) | *2400 (78) | |
| 18 | 3295 (66) | 3915 (70,5) | 3100 (73) | 3480 (71,5) | 2345 (77) | |
| 20 | 2555 (63) | 3070 (67,5) | 3005 (70) | 2850 (69) | 2310 (74,5) | *1750 (78) |
| 22 | 1970 (60,5) | 2405 (64,5) | 2670 (67) | 2250 (66,5) | 2250 (72) | 1690 (76,5) |
| 24 | 1500 (57) | 1870 (61) | 2090 (63,5) | 1765 (64) | 2100 (69,5) | 1620 (74) |
| 26 | 1110 (54) | 1425 (57,5) | 1615 (60) | 1365 (61,5) | 1845 (67,5) | 1560 (71) |
| 28 | 780 (50) | 1055 (54) | 1215 (56) | 1030 (58,5) | 1460 (64,5) | 1525 (68) |
| 30 | 505 (46,5) | 735 (50,5) | 875 (52) | 745 (56) | 1130 (61,5) | 1440 (65) |
| 32 | | | 580 (47,5) | | 845 (58,5) | 1085 (62) |
| 34 | | | | | 600 (55,5) | 780 (58,5) |
| 36 | | | | | | 510 (55) |
| No load stability data | | | | | | |
| Min. boom angle for indicated length | 46° | 45° | 45° | 48° | 51° | 51° |
| Max. boom length at 0° boom angle | 18,4 m | | | 15,2 m | | |

NOTE: () Boom angles are in degrees.

*This capacity is based upon maximum boom angle.

#LMI operating code. Refer to LMI manual for instructions.

A6-829-1 01 619

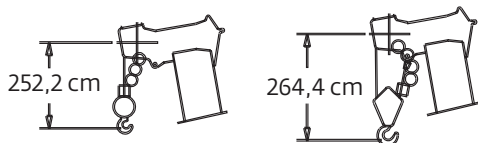
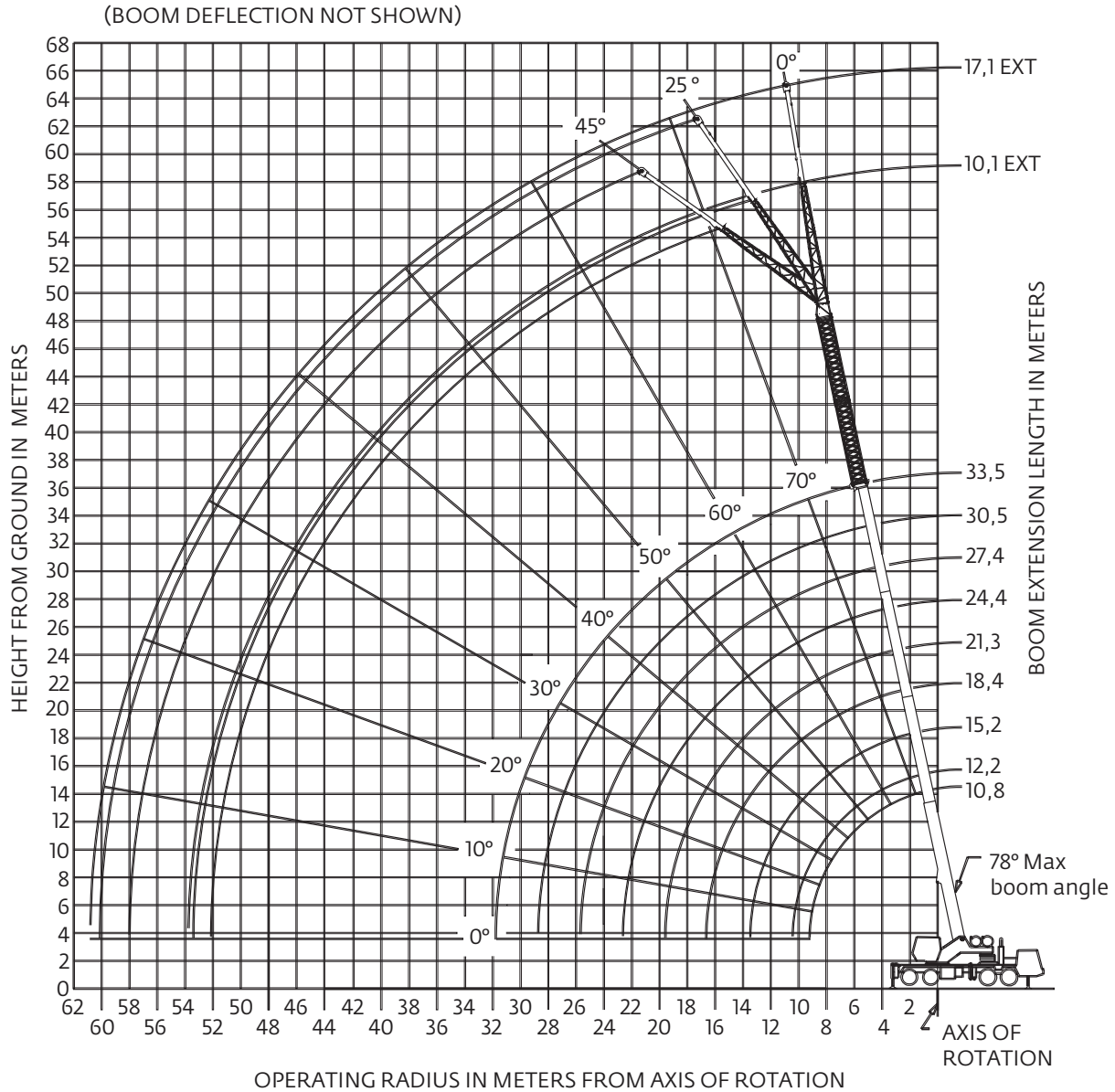
NOTES:

1. All capacities above the bold line are based on structural strength of boom extension.
2. 10,1 m and 17,1 m boom extension lengths may be used for single line lifting service.
3. Radii listed are for a fully extended boom with the boom extension erected. For main boom lengths less than fully extended, the rated loads are determined by boom angle. Use only the column which corresponds to the boom extension length and offset for which the machine is configured. For boom angles not shown, use the rating of the next lower boom angle.
4. **WARNING:** Operation of this machine with heavier loads than the capacities listed is strictly prohibited. Machine tipping with boom extension occurs rapidly and without advance warning.
5. Boom angle is the angle above or below horizontal of the longitudinal axis of the boom base section after lifting rated load.
6. Capacities listed are with outriggers properly extended and vertical jacks set only.

Working range

Metric 85%

11 m - 33,5 m main boom and 10,1 m - 17,1 m lattice extension with 12,2 m insert



Dimensions are for largest Grove furnished hook block and headache ball, with anti-two block activated.

Load chart

Metric 85%



| Radius in meters | 10,1 m LENGTH | | | 17,1 m LENGTH | | |
|--------------------------------------|---------------|-------------|-------------|---------------|-------------|-------------|
| | #0064 | #0065 | #0066 | #0084 | #0085 | #0086 |
| | 0° OFFSET | 25° OFFSET | 45° OFFSET | 0° OFFSET | 25° OFFSET | 45° OFFSET |
| 12 | 4245 (78) | | | | | |
| 14 | 3775 (75,5) | *3390 (78) | | 2830 (78) | | |
| 16 | 3320 (73) | 3070 (77) | *2665 (78) | 2715 (76) | | |
| 18 | 2950 (70,5) | 2750 (74,5) | 2520 (77) | 2710 (74) | | |
| 20 | 2640 (68) | 2495 (72) | 2285 (74,5) | 2470 (72) | 2170 (78) | |
| 22 | 2365 (65,5) | 2240 (69,5) | 2105 (71,5) | 2180 (69,5) | 1935 (76) | *1705 (78) |
| 24 | 2145 (63) | 2035 (66,5) | 1930 (69) | 1935 (67,5) | 1775 (73,5) | 1600 (77,5) |
| 26 | 1940 (60) | 1870 (64) | 1755 (66) | 1725 (65) | 1610 (71,5) | 1470 (75) |
| 28 | 1770 (57) | 1710 (61) | 1640 (63) | 1545 (62,5) | 1460 (69) | 1310 (72,5) |
| 30 | 1625 (54,5) | 1580 (58) | 1525 (60) | 1385 (60,5) | 1330 (66,5) | 1190 (70) |
| 32 | 1475 (51) | 1455 (55) | 1405 (56,5) | 1260 (58) | 1215 (64) | 1115 (67) |
| 34 | 1360 (48) | 1345 (51,5) | 1305 (53) | 1120 (55) | 1095 (61,5) | 1040 (64,5) |
| 36 | 1225 (44,5) | 1260 (48) | 1180 (49) | 1015 (52,5) | 995 (58,5) | 955 (61,5) |
| 38 | 995 (41) | 1145 (44,5) | | 910 (50) | 905 (55,5) | 870 (58,5) |
| 40 | 790 (37) | 910 (40) | | 825 (47) | 825 (52,5) | 805 (55) |
| 42 | 605 (32) | 695 (35,5) | | 735 (44) | 755 (49,5) | 705 (51,5) |
| 44 | | 505 (30) | | | 695 (46) | |
| 46 | | | | | 545 (42,5) | |
| No load stability data | | | | | | |
| Min. boom angle at 33,5m boom length | 22° | 29° | 45° | 38° | 40° | 45° |
| Max. boom length at 0° boom angle | 30,5 m | | | 24,4 m | | |

NOTE: () Boom angles are in degrees.

A6-829-1 01 624

*This capacity is based upon maximum boom angle.







#LMI operating code. Refer to LMI manual for instructions.

NOTES:

1. All capacities above the bold line are based on structural strength of boom extension.
2. 10,1 m and 17,1 m boom extension lengths may be used for single line lifting service.
3. Radii listed are for a fully extended boom with the boom extension erected. For main boom lengths less than fully extended, the rated loads are determined by boom angle. Use only the column which corresponds to the boom extension length and offset for which the machine is configured. For boom angles not shown, use the rating of the next lower boom angle.
4. **WARNING:** Operation of this machine with heavier loads than the capacities listed is strictly prohibited. Machine tipping with boom extension occurs rapidly and without advance warning.
5. Boom angle is the angle above or below horizontal of the longitudinal axis of the boom base section after lifting rated load.
6. Capacities listed are with outriggers properly extended and vertical jacks set only.

Load chart

Metric 85%

 11 m - 33,5 m
  10,1 m - 17,1 m
  12,2 m
  7485 kg
  100% 6,1 m
  360°

| Radius in meters | 10,1 m LENGTH | | | 17,1 m LENGTH | | |
|---------------------------------------|----------------|----------------|----------------|---------------|----------------|----------------|
| | #0064 | #0065 | #0066 | #0084 | #0085 | #0086 |
| | 0° OFFSET | 25° OFFSET | 45° OFFSET | 0° OFFSET | 25° OFFSET | 45° OFFSET |
| 14 | 2925 (77,5) | | | | | |
| 16 | 2565 (75,5) | *2655 (78) | | 1975 (78) | | |
| 18 | 2245 (73) | 2435 (77) | *2345 (78) | 1795 (76) | | |
| 20 | 1960 (71) | 2180 (74,5) | 2095 (77) | 1665 (74) | | |
| 22 | 1740 (68,5) | 1920 (72,5) | 1875 (74,5) | 1505 (72) | 1625 (78) | |
| 24 | 1525 (66,5) | 1710 (70) | 1700 (72,5) | 1325 (70) | 1445 (76,5) | |
| 26 | 1345 (64) | 1520 (67,5) | 1525 (70) | 1135 (68) | 1270 (74) | 1230 (77,5) |
| 28 | 1210 (61,5) | 1360 (65,5) | 1365 (67,5) | 1000 (66) | 1135 (72) | 1115 (75,5) |
| 30 | 1065 (59) | 1210 (63) | 1245 (64,5) | 855 (64) | 995 (70) | 995 (73) |
| 32 | 945 (56,5) | 1080 (60) | 1080 (62) | 740 (62) | 875 (68) | 880 (71) |
| 34 | 830 (54) | 965 (57,5) | 980 (59,5) | 625 (59,5) | 755 (65,5) | 760 (68,5) |
| 36 | 740 (51,5) | 850 (55) | 895 (56,5) | 530 (57,5) | 640 (63,5) | 675 (66) |
| 38 | 645 (48,5) | 770 (52) | 780 (53,5) | | 565 (61) | 575 (63,5) |
| 40 | 570 (45,5) | 675 (49) | 675 (50) | | | 505 (61) |
| 42 | | 590 (45,5) | 615 (46,5) | | | |
| 44 | | 505 (42) | | | | |
| No load stability data | | | | | | |
| Min. boom angle at 33,5 m boom length | 40° | 40° | 46° | 56° | 58° | 60° |
| Max. boom length at 0° boom angle | 21,3 m | | | 12,2 m | | |

NOTE: () Boom angles are in degrees.

A6-829-1 01 628A

*This capacity is based upon maximum boom angle.

#LMI operating code. Refer to LMI manual for instructions.

NOTES:

1. All capacities above the bold line are based on structural strength of boom extension.
2. 10,1 m and 17,1 m boom extension lengths may be used for single line lifting service.
3. Radii listed are for a fully extended boom with the boom extension erected. For main boom lengths less than fully extended, the rated loads are determined by boom angle. Use only the column which corresponds to the boom extension length and offset for which the machine is configured. For boom angles not shown, use the rating of the next lower boom angle.
4. **WARNING:** Operation of this machine with heavier loads than the capacities listed is strictly prohibited. Machine tipping with boom extension occurs rapidly and without advance warning.
5. Boom angle is the angle above or below horizontal of the longitudinal axis of the boom base section after lifting rated load.
6. Capacities listed are with outriggers properly extended and vertical jacks set only.

Symbols glossary



Axles



Counterweight



Grade



Outriggers



Boom



Drive



Heavy duty jib



Radius



Boom elevation



Electrical system



Hoist



Rotation



Boom extension



Engine



Hookblock



Speed



Boom length



Extension



Hydraulic system



Steering



Boom nose



Frame



Lights



Suspension



Brakes



Fuel tank capacity



Oil



Swing



Cab



Gear



Outrigger controls



Tires



Transmission

Manitowoc Cranes

Regional headquarters

Americas

Manitowoc, Wisconsin, USA

Tel: +1 920 684 6621

Fax: +1 920 683 6277

Shady Grove, Pennsylvania, USA

Tel: +1 717 597 8121

Fax: +1 717 597 4062

Europe, Middle East, Africa

Ecully, France

Tel: +33 (0)4 72 18 20 20

Fax: +33 (0)4 72 18 20 00

China

Shanghai, China

Tel: +86 21 6457 0066

Fax: +86 21 6457 4955

Greater Asia-Pacific

Singapore

Tel: +65 6264 1188

Fax: +65 6862 4040

Regional offices

Americas

Brazil

Alphaville

Mexico

Monterrey

Chile

Santiago

Europe, Middle East,

Africa

France

Baudemont

Cergy

Decines

Germany

Langenfeld

Italy

Lainate

Netherlands

Breda

Poland

Warsaw

Portugal

Baltar

Russia

Moscow

South Africa

Johannesburg

U.A.E.

Dubai

U.K.

Buckingham

China

Beijing

Chengdu

Guangzhou

Xian

Greater Asia-Pacific

Australia

Brisbane

Melbourne

Sydney

India

Chennai

Delhi

Hyderabad

Pune

Korea

Seoul

Philippines

Makati City

Singapore

Factories

Brazil

Passo Fundo

China

TaiAn

Zhangjiagang

France

Charlieu

Moullins

Germany

Wilhelmshaven

India

Pune

Italy

Niella Tanaro

Portugal

Baltar

Fânzeres

Slovakia

Saris

USA

Manitowoc

Port Washington

Shady Grove

This document is non-contractual. Constant improvement and engineering progress make it necessary that we reserve the right to make specification, equipment, and price changes without notice. Illustrations shown may include optional equipment and accessories and may not include all standard equipment.